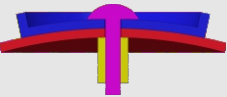
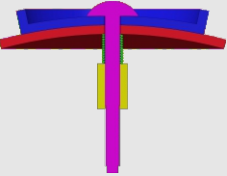
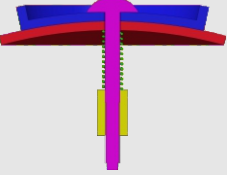
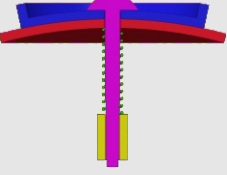


How to tighten the screws

Find your model in the table

Assembly section	Tightness	Models
	tight (no spring)	#61,#75
	tight (spring in green) (Short screw is recommended)	#72,#73,#77,#87,#88 #89
	medium (spring in green)	#94,#93,#90,#86,#85 #83,#82,#81,#80,#79 #78,#76,#71,#70,#69 #68,#67,#66,#65,#64 #63,#62,#60,#59
	loose (spring in green)	Mostly applicable to 'medium' category. Not recommended in general.

1. Tighter is usually better since the spring we provide is soft.
2. Early products had been using longer screws. You can either insert thick washer when necessary or request for short screws in the <Accessory & free parts> directory at our homepage:
<https://www.verypuzzle.com>

VeryPuzzle
2024/04

VeryPuzzle



Spherical Tuttminx V1.0

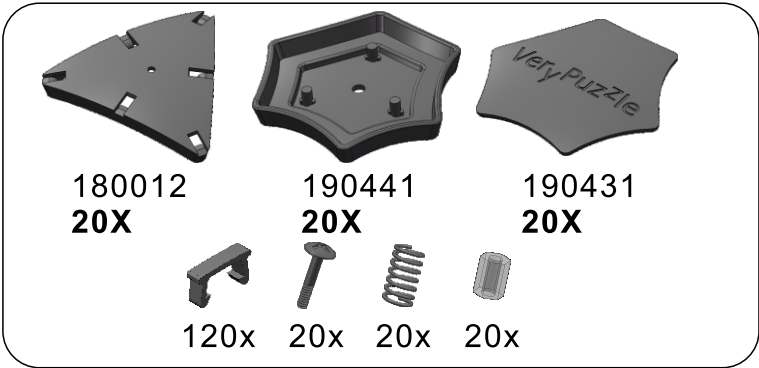
D113-M5

#69

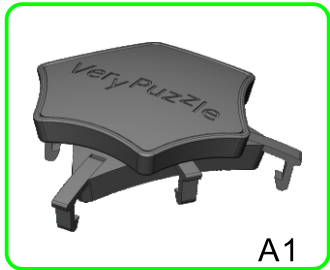
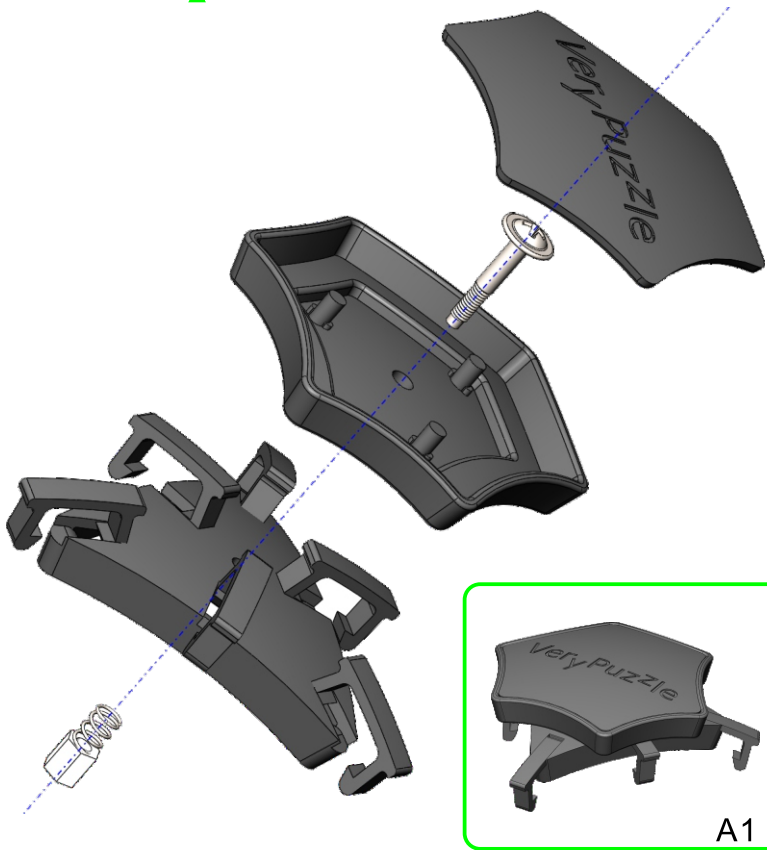
700+ parts
32 axes



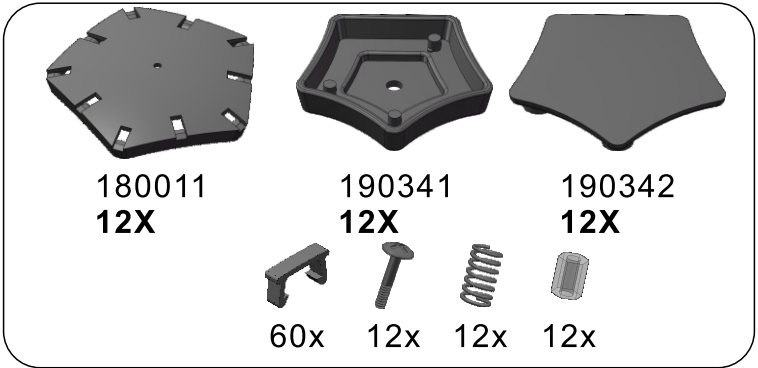
1



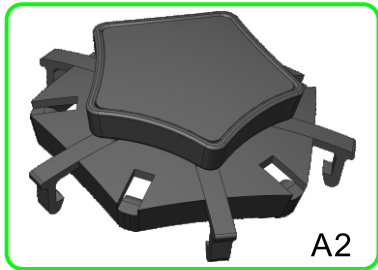
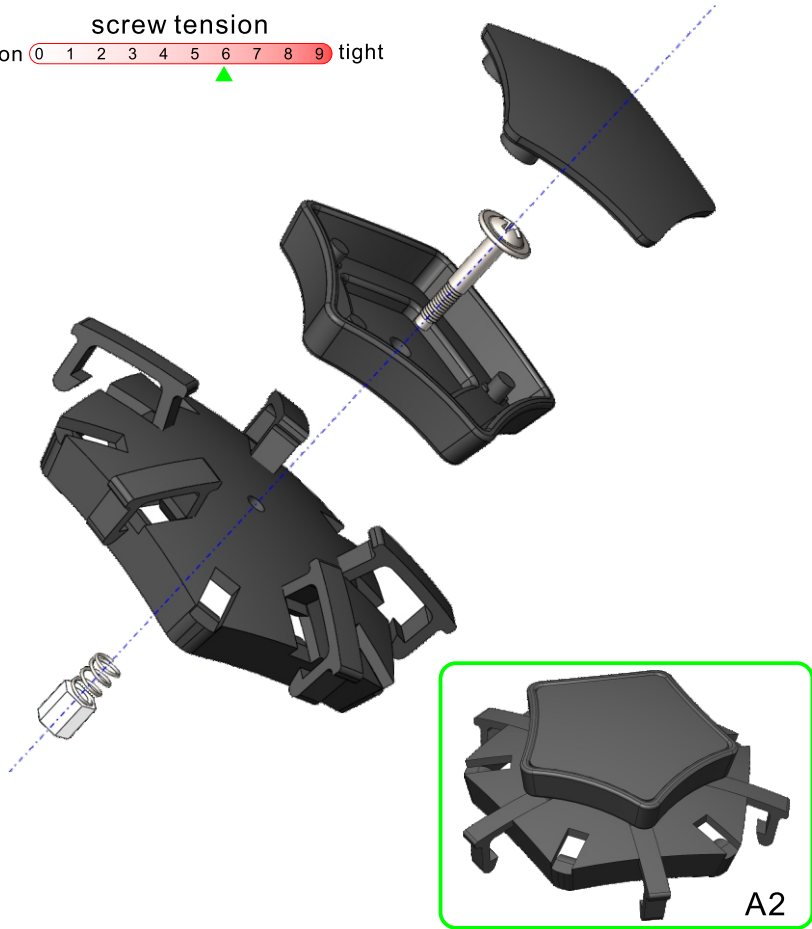
screw tension
no tension 0 1 2 3 4 5 6 7 8 9 tight



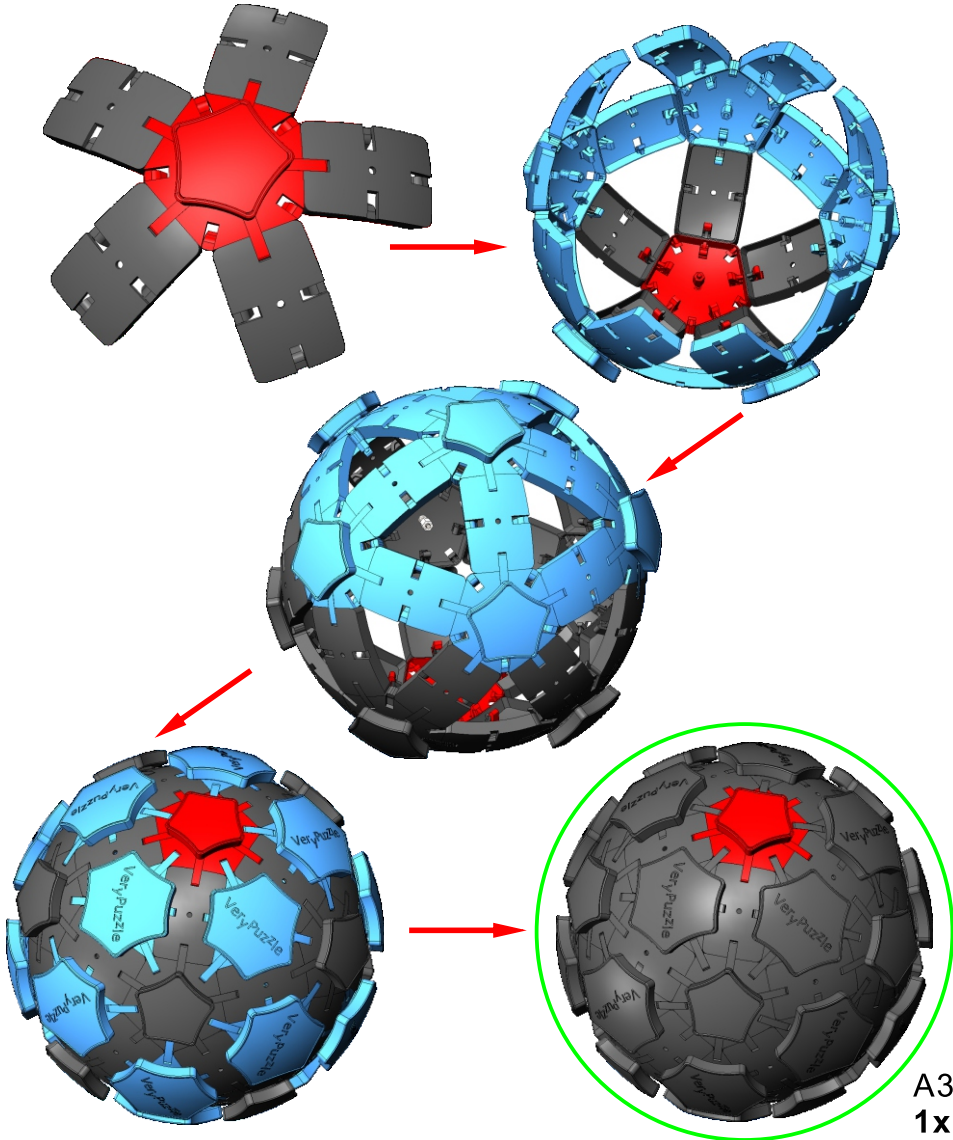
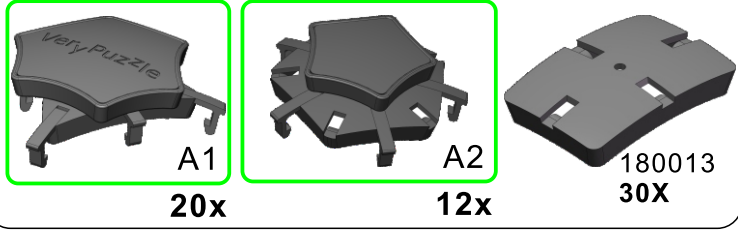
2



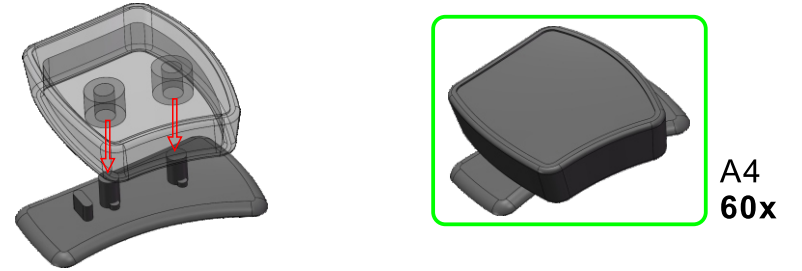
screw tension
no tension 0 1 2 3 4 5 6 7 8 9 tight



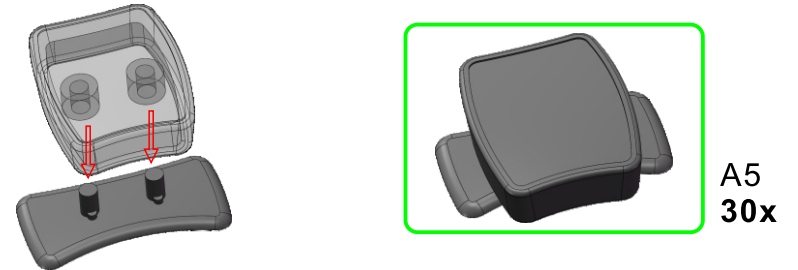
3



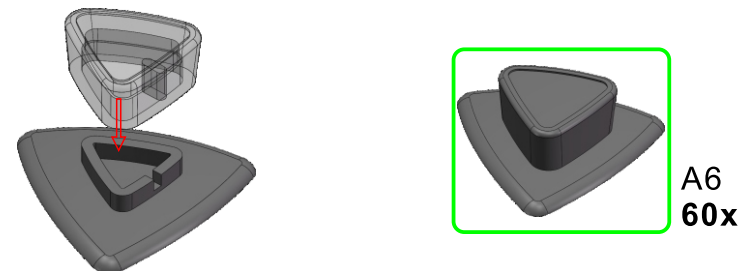
4



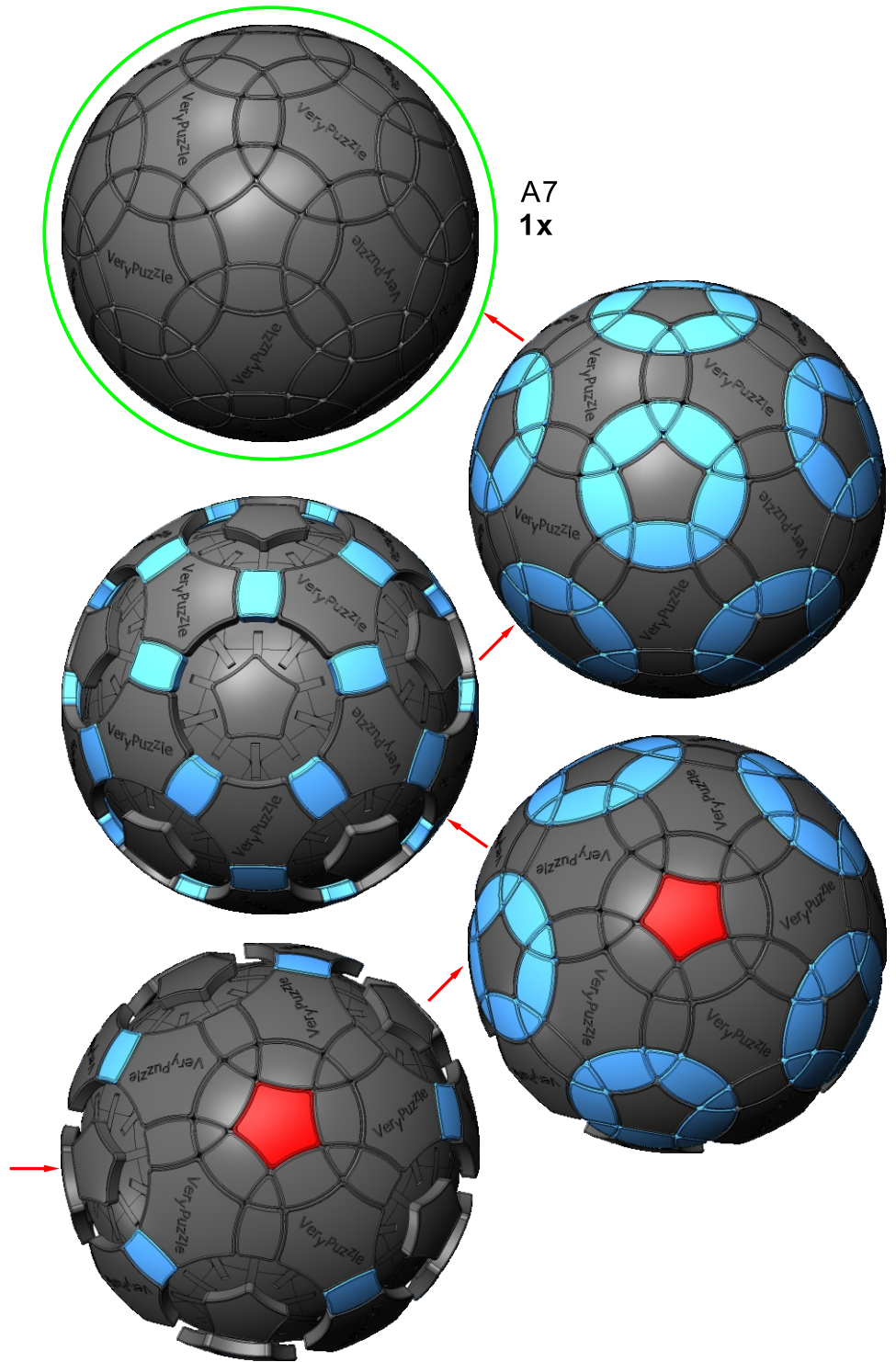
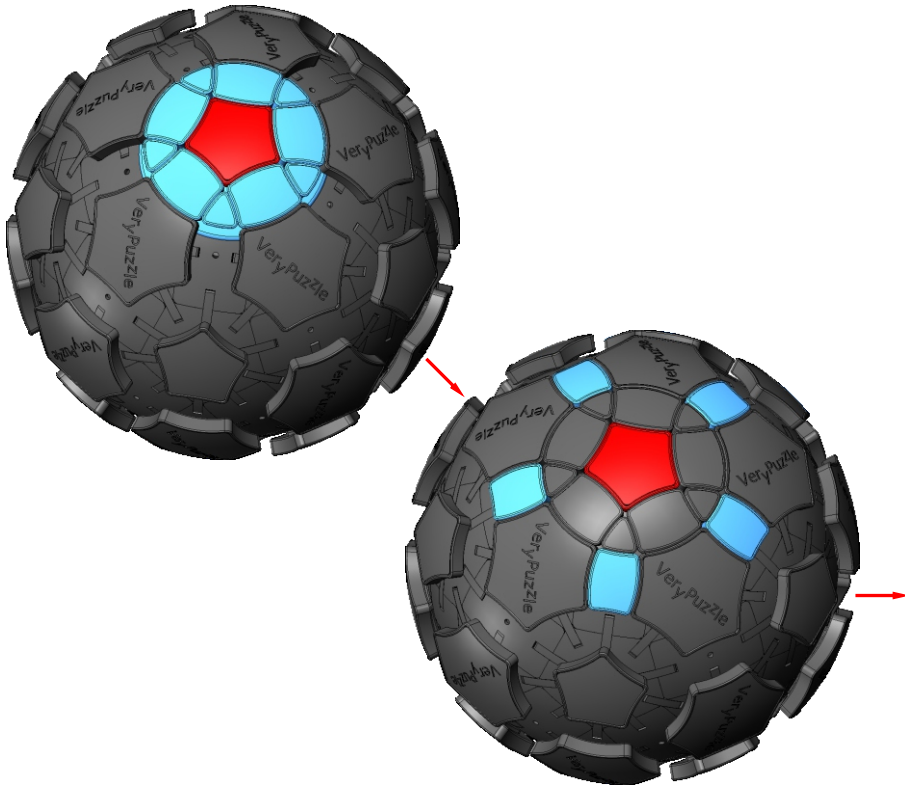
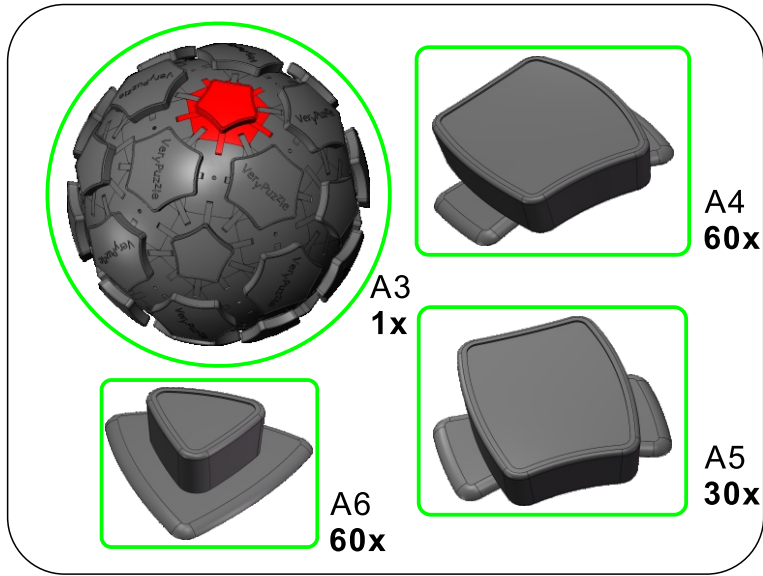
5



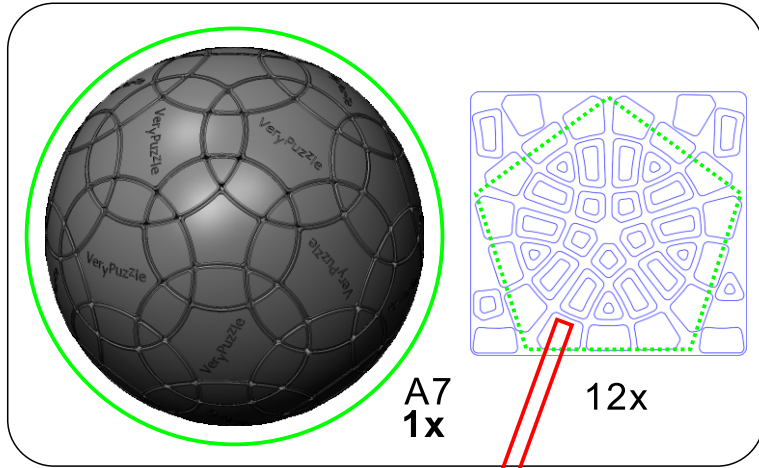
6



7



8



Clean part surface before applying stickers



9

Rotation Rules

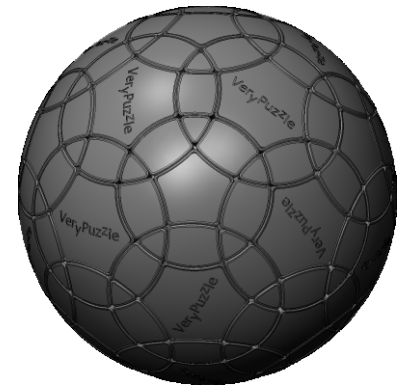
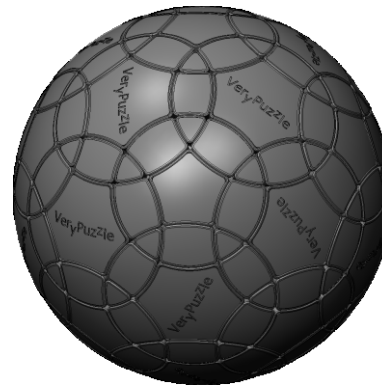


3-fold symmetry
Turns $120 \cdot n$ degrees

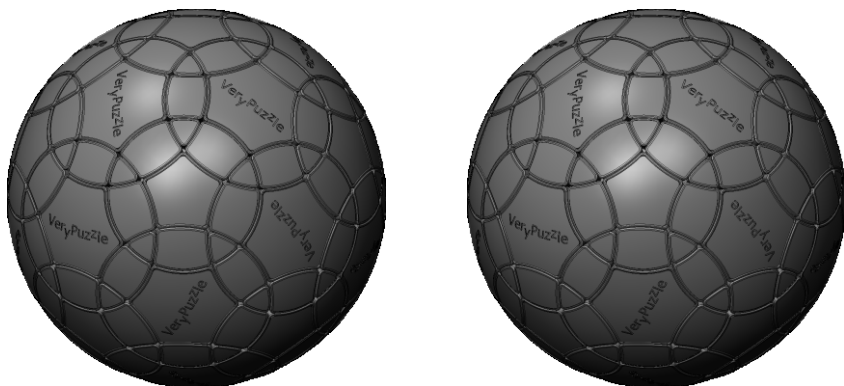
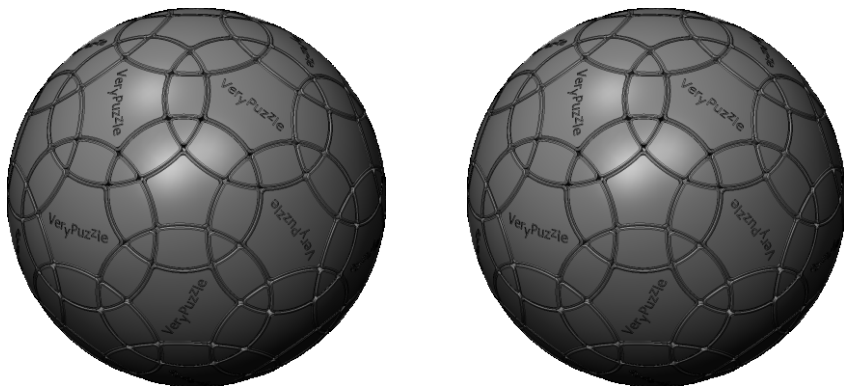


5-fold symmetry
Turns $72 \cdot n$ degrees

Notations and Algorithms

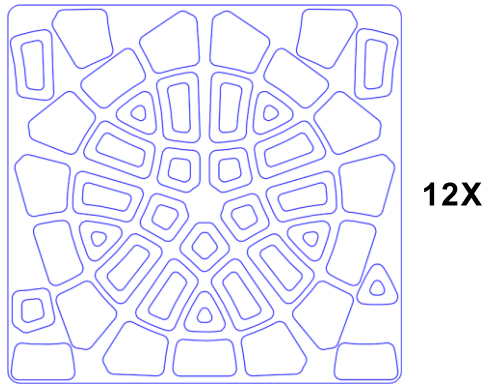
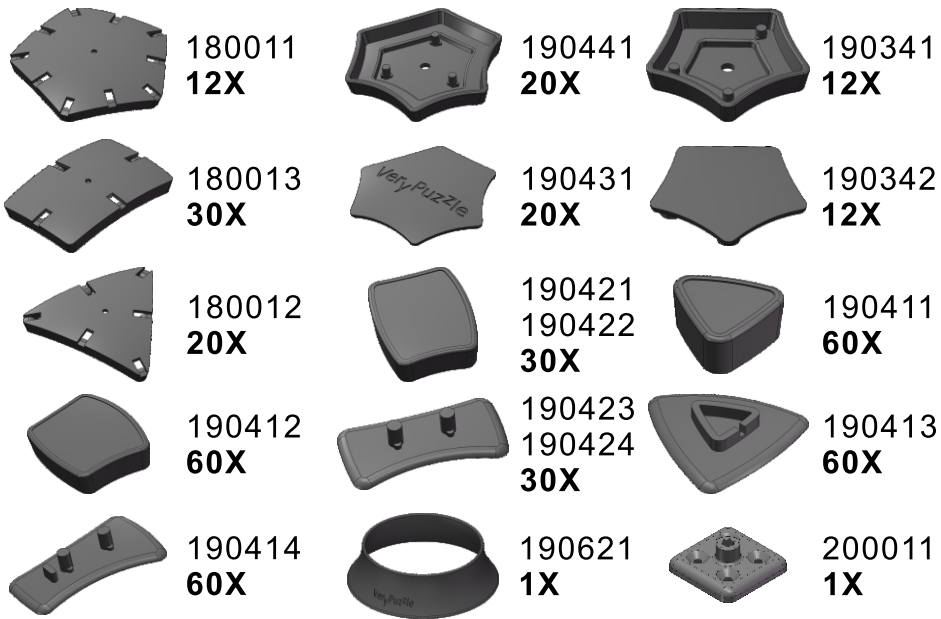


Notations and Algorithms



Product Information Card

Product Name	Spherical Tuttminx V1.0
Model NO.	#69
Design	VeryPuzzle Co., Ltd(HK)
Manufacturer	VeryPuzzle Co., Ltd(HK)
Year of release	2019
Maximum diameter	145 mm
Visible moving parts	182 pcs
Coloring strategy	simplified Delauney
Number of colors	12 colors
Sticker type	textured
Sticker protection	Yes
Number of sticker pieces	420 pcs
Axis & Symmetry	$D(C5)+I(C3)$
Maximum parts shared between two axes	3 parts
In-core spring	Yes
Adjustable tension	No
Technical Name	D113-M5
Topological Print	D24I27
Core specification	DIRT130



Customer Service

1. support@verypuzzle.com

