
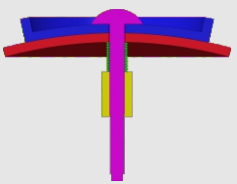
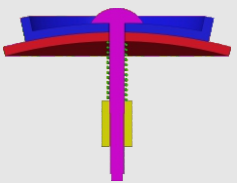
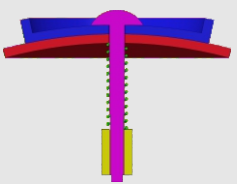


How to tighten the screws

Find your model in the table



Assembly section	Tightness	Models
	tight (no spring)	#61,#75
	tight (spring in green) (Short screw is recommended)	#72,#73,#77,#87,#88 #89
	medium (spring in green)	#94,#93,#90,#86,#85 #83,#82,#81,#80,#79 #78,#76,#71,#70,#69 #68,#67,#66,#65,#64 #63,#62,#60,#59
	loose (spring in green)	Mostly applicable to 'medium' category. Not recommended in general.

1. Tighter is usually better since the spring we provide is soft.

2. Early products had been using longer screws. You can either insert thick washer when necessary or request for short screws in the <Accessory & free parts> directory at our homepage:
<https://www.verypuzzle.com>

VeryPuzzle
2024/04

VeryPuzzle

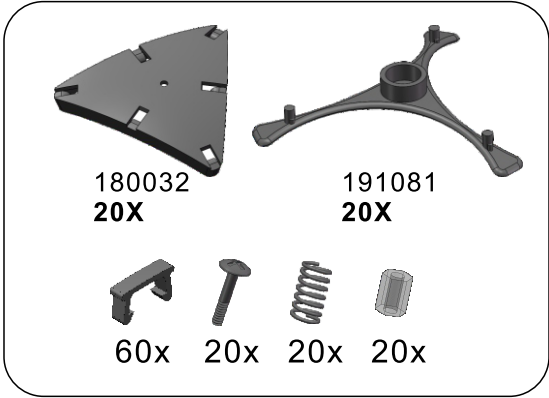


IRT V1.0 F1
I1RT1-M3-F1
#82

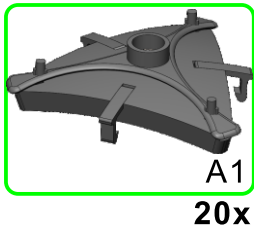
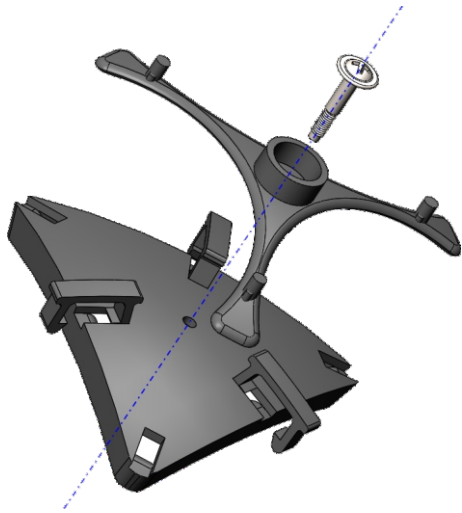
1000+ parts
50 axes



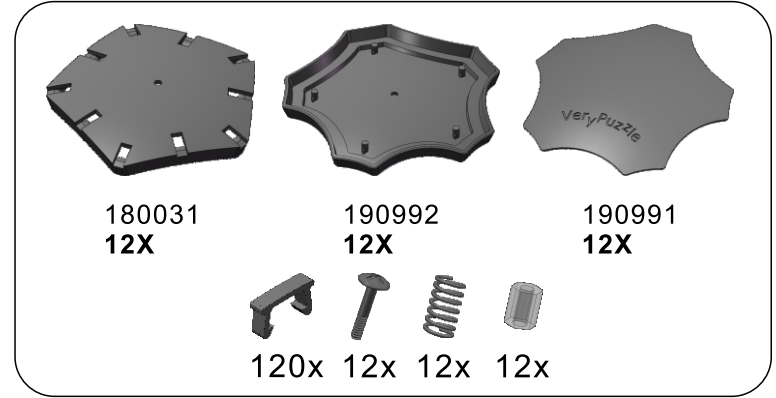
1



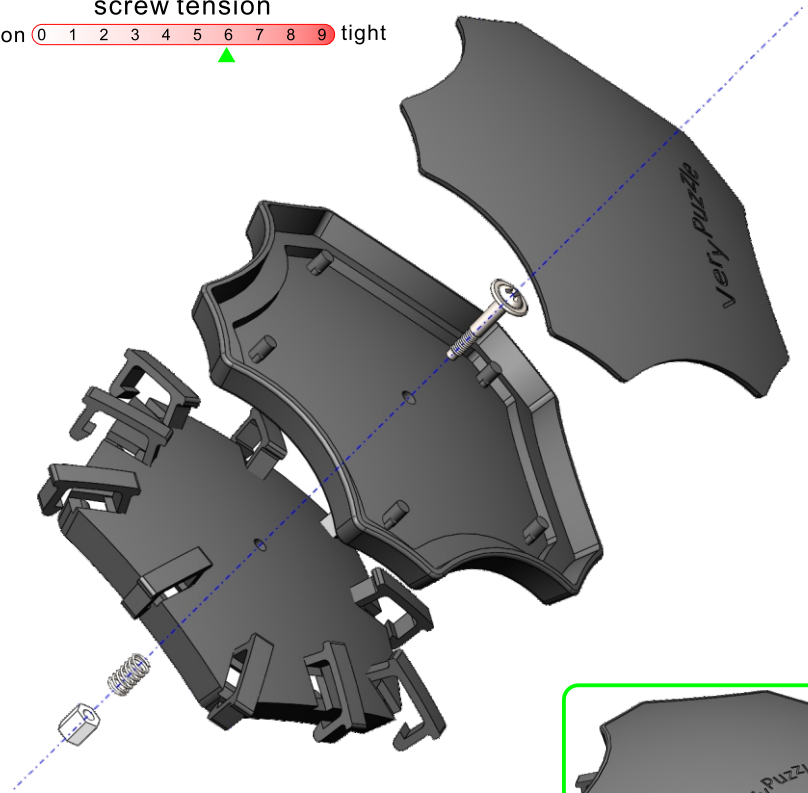
screw tension
no tension 0 1 2 3 4 5 6 7 8 9 tight



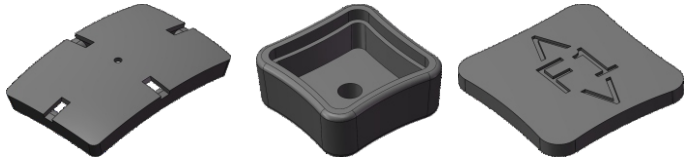
2



screw tension
no tension 0 1 2 3 4 5 6 7 8 9 tight



3



180033
30X

191111
191112
30X

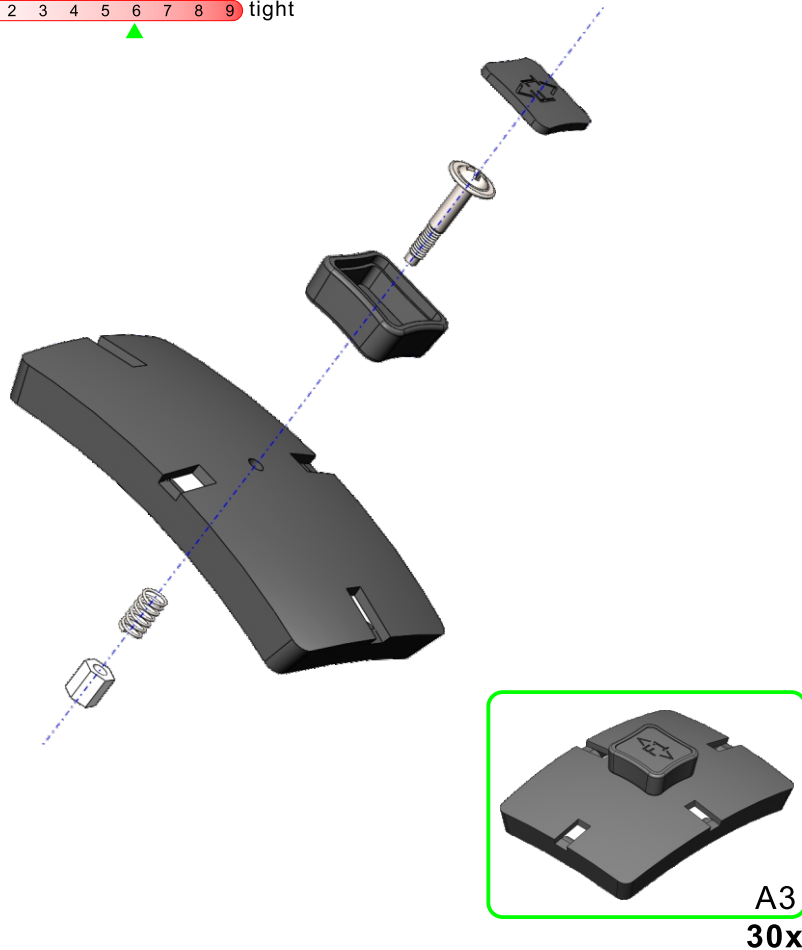
191113
191114
30X



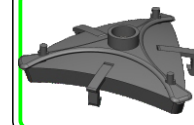
30x 30x 30x

screw tension

no tension 0 1 2 3 4 5 6 7 8 9 tight



4



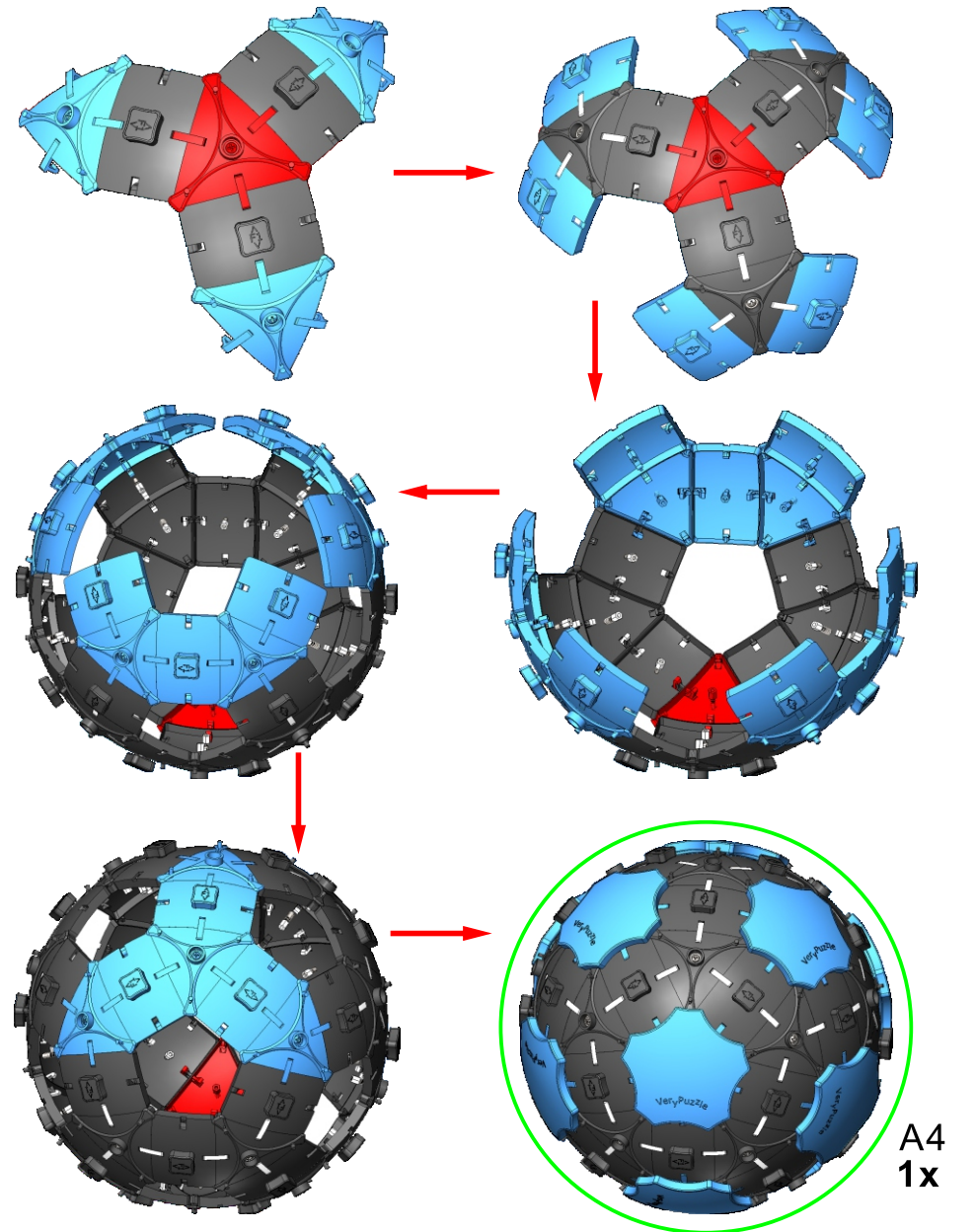
A1
20x



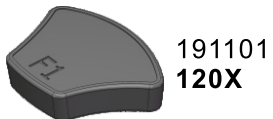
A2
12x



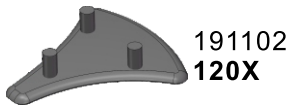
A3
30x



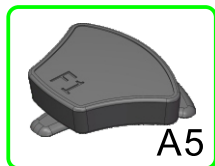
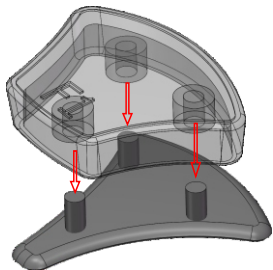
5



191101
120X



191102
120X



A5
120x

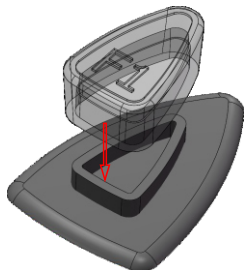
6



191103
120X

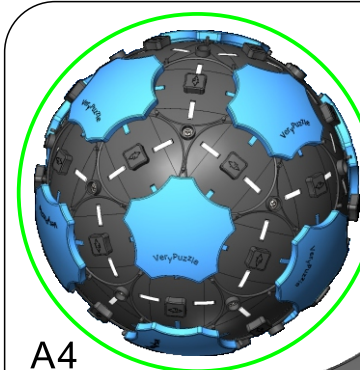


191104
120X



A6
120x

7



A4
1x



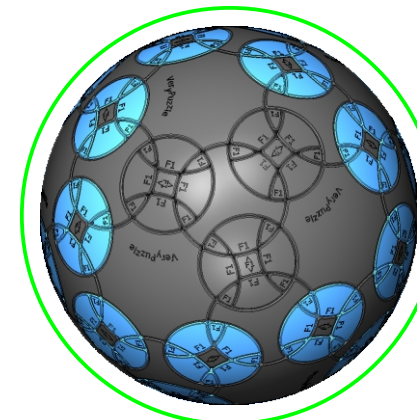
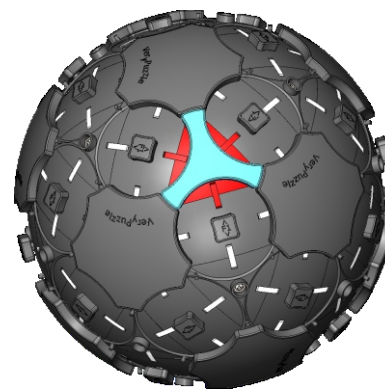
A5
120x



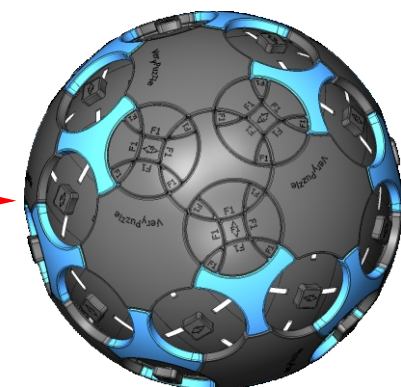
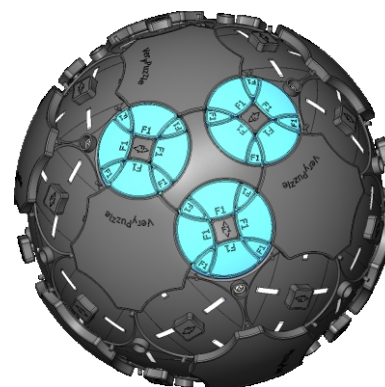
191071
20X



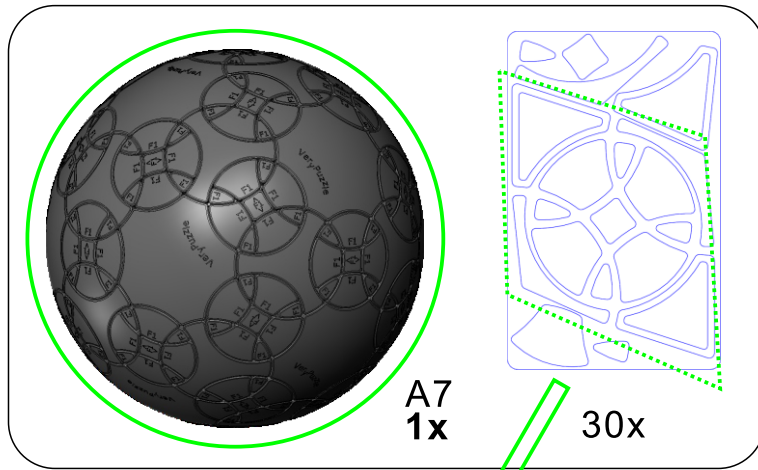
A6
120x



A7
1x



8



Clean part surface
before applying stickers



9

Rotation Rules

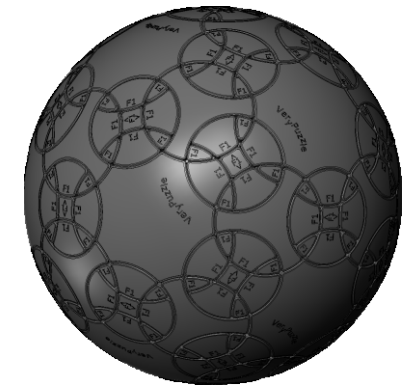
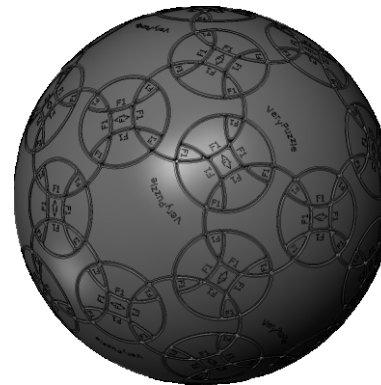


4-fold symmetry
Turns $90 \cdot n$ degrees

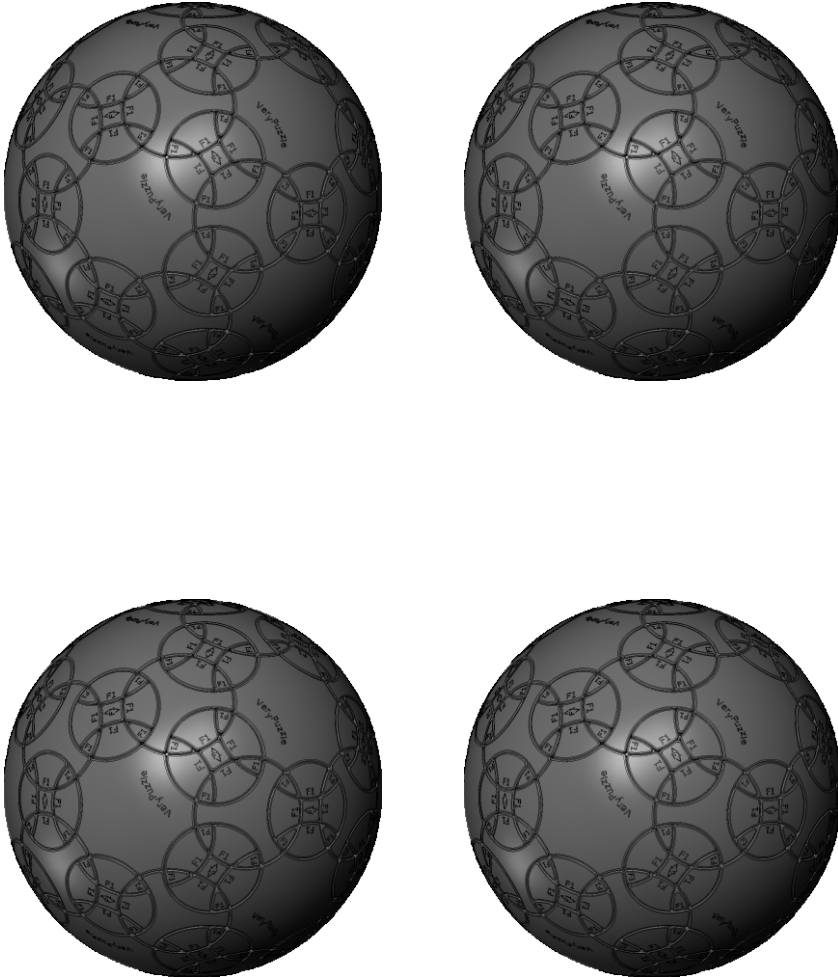


3-fold symmetry
Turns $120 \cdot n$ degrees

Notations and Algorithms

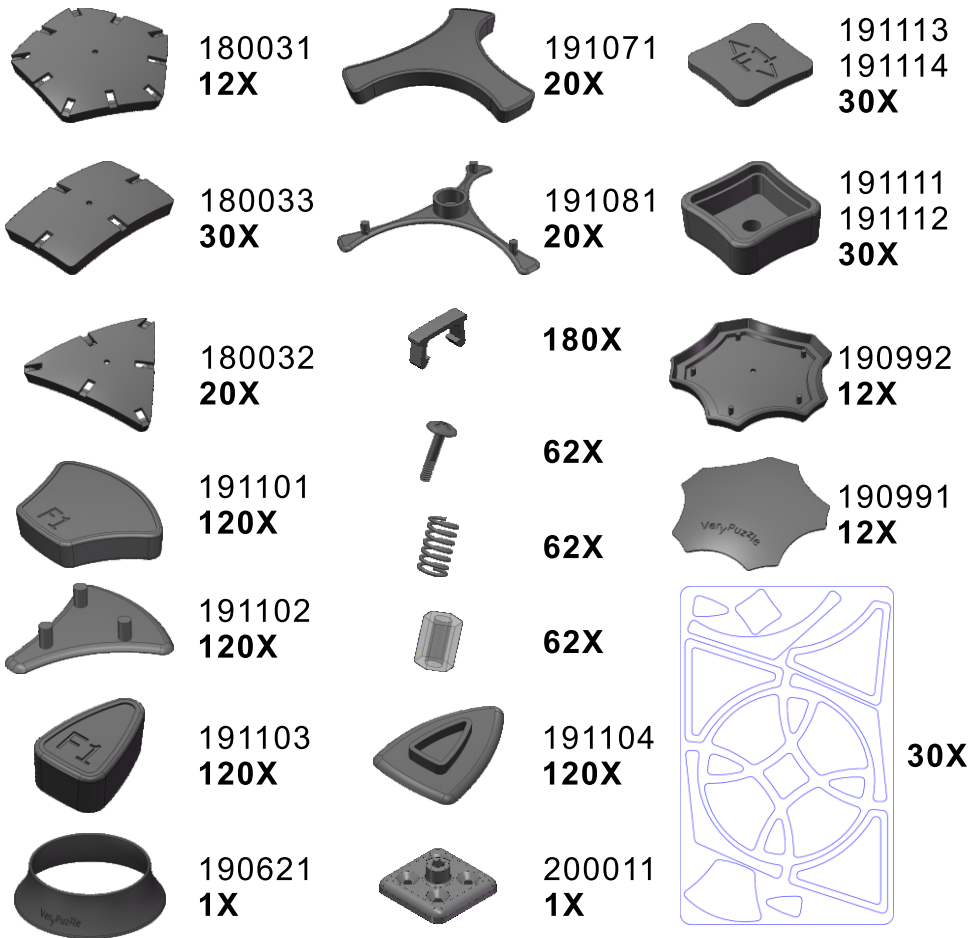


Notations and Algorithms



Product Information Card

Product Name	IRT V1.0 F1
Model NO.	#90
Design	VeryPuzzle Co., Ltd(HK)
Manufacturer	VeryPuzzle Co., Ltd(HK)
Year of release	2020
Maximum diameter	195 mm
Visible moving parts	302 pcs
Coloring strategy	simplified Delauney
Number of colors	30 colors
Sticker type	uniform matte
Sticker protection	Yes
Number of sticker pieces	390 pcs
Axis & Symmetry	$I(C3)+RT(C4)$
Maximum parts shared between two axes	3 parts
In-core spring	Yes
Adjustable tension	No
Technical Name	I1RT1-M3-F1
Topological Print	I17RT15
Core specification	DIRT180



Customer Service

1. support@verypuzzle.com



VeryPuzzle