
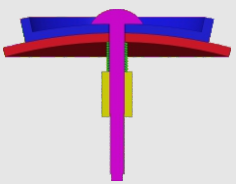
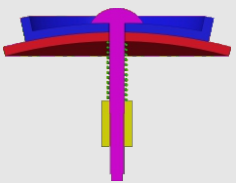
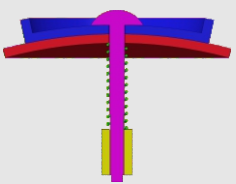


How to tighten the screws

Find your model in the table

| Assembly section | Tightness | Models |
|--|--|---|
|  | tight (no spring) | #61,#75 |
|  | tight (spring in green) (Short screw is recommended) | #72,#73,#77,#87,#88 #89 |
|  | medium (spring in green) | #94,#93,#90,#86,#85 #83,#82,#81,#80,#79 #78,#76,#71,#70,#69 #68,#67,#66,#65,#64 #63,#62,#60,#59 |
|  | loose (spring in green) | Mostly applicable to 'medium' category. Not recommended in general. |

1. Tighter is usually better since the spring we provide is soft.

2. Early products had been using longer screws. You can either insert thick washer when necessary or request for short screws in the <Accessory & free parts> directory at our homepage:
<https://www.verypuzzle.com>

VeryPuzzle
2024/04

VeryPuzzle

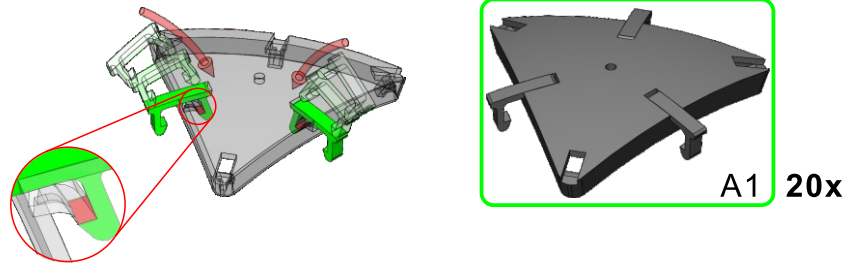


IRT V1.0
IRT1-M3
#81

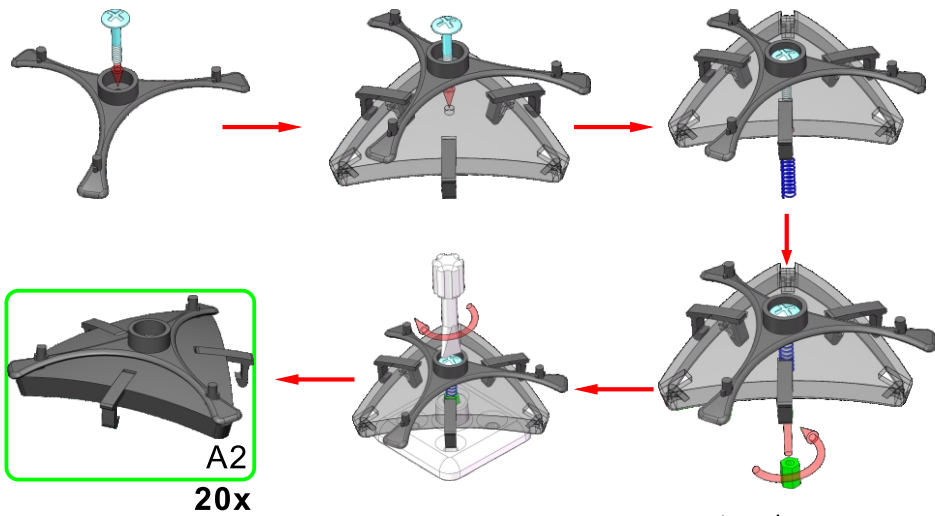
600+ parts
50 axis



1

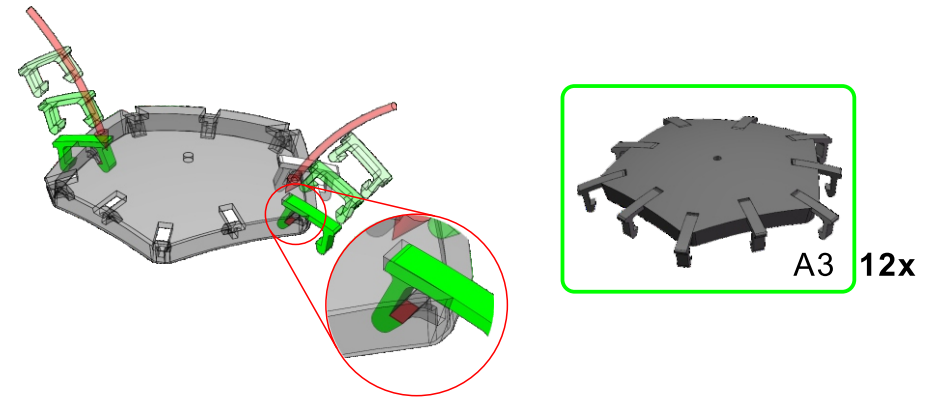
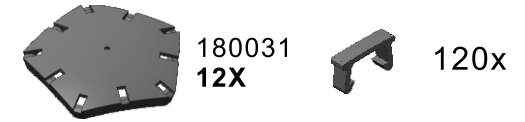


2

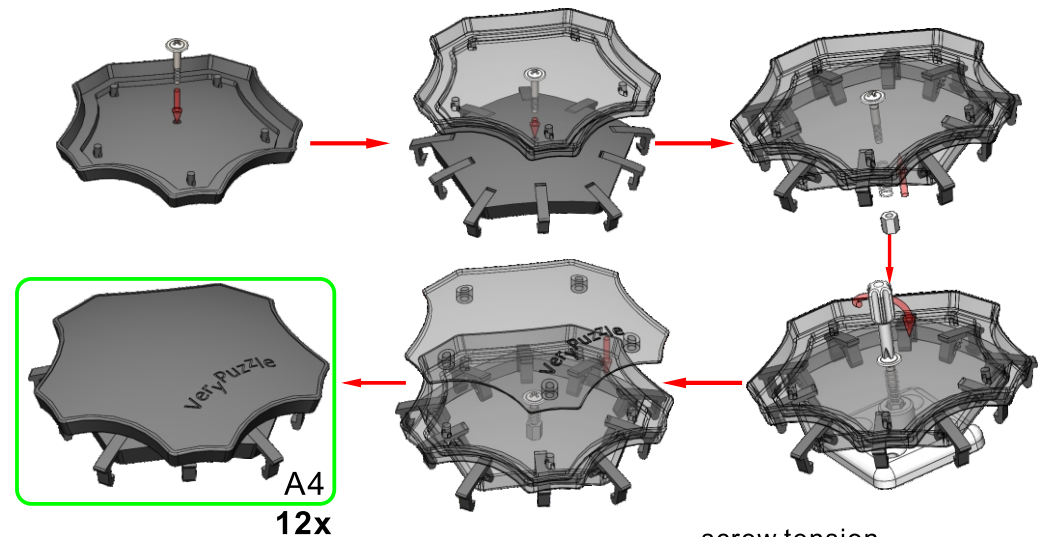
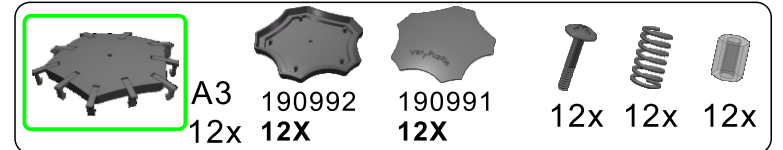


screw tension
no tension 0 1 2 3 4 5 6 7 8 9 tight

3



4

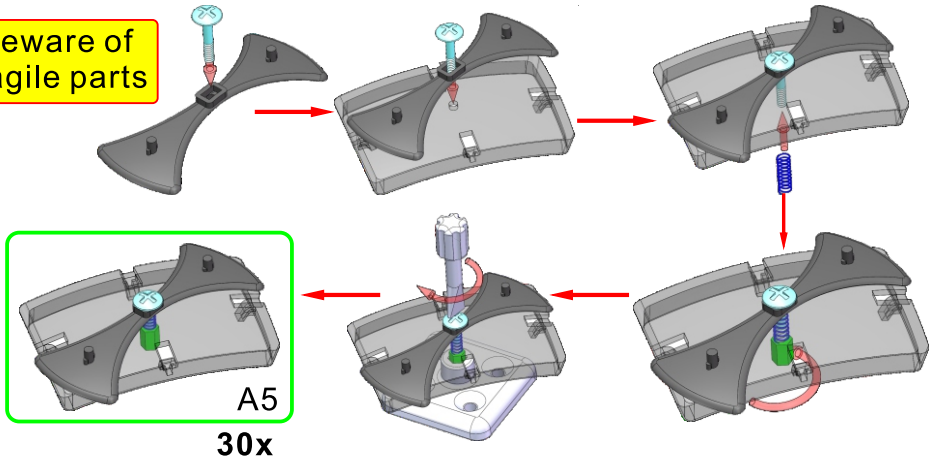


screw tension
no tension 0 1 2 3 4 5 6 7 8 9 tight

5

- 180033 30X
- 191061 30X
- 30x 30x 30x

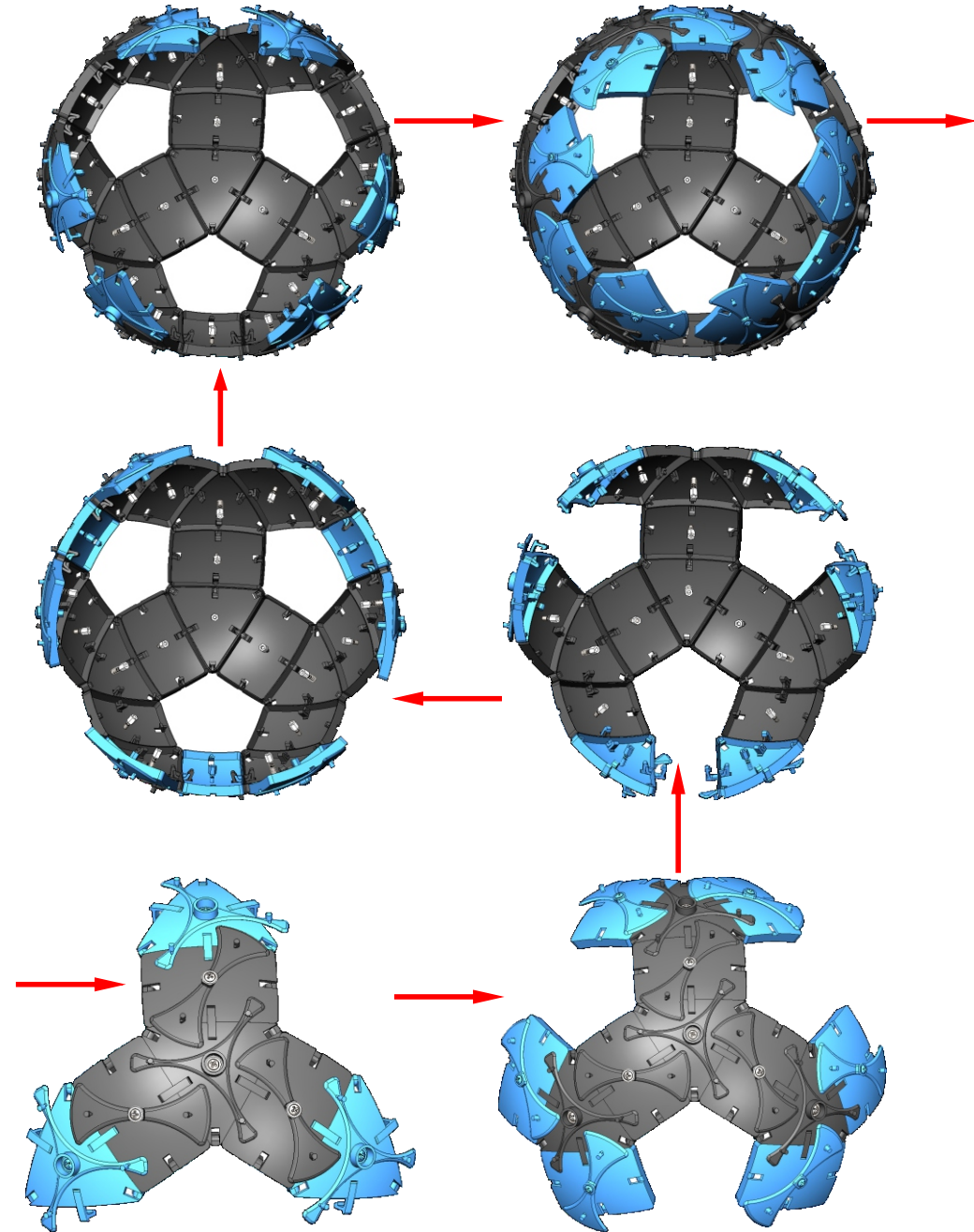
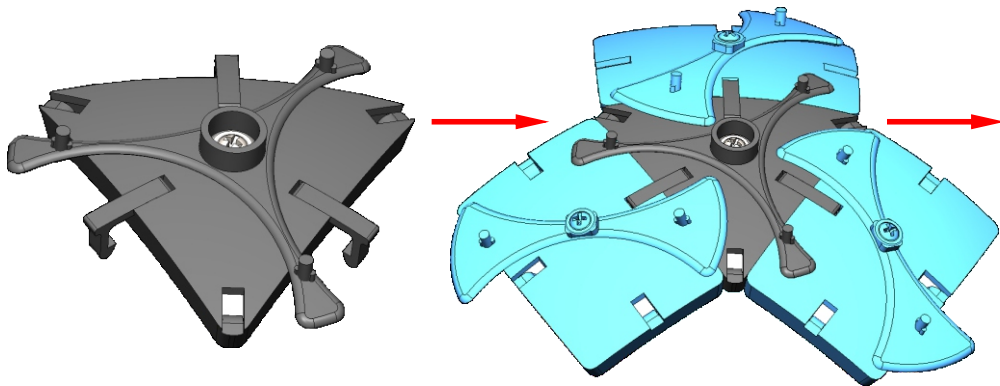
Beware of fragile parts

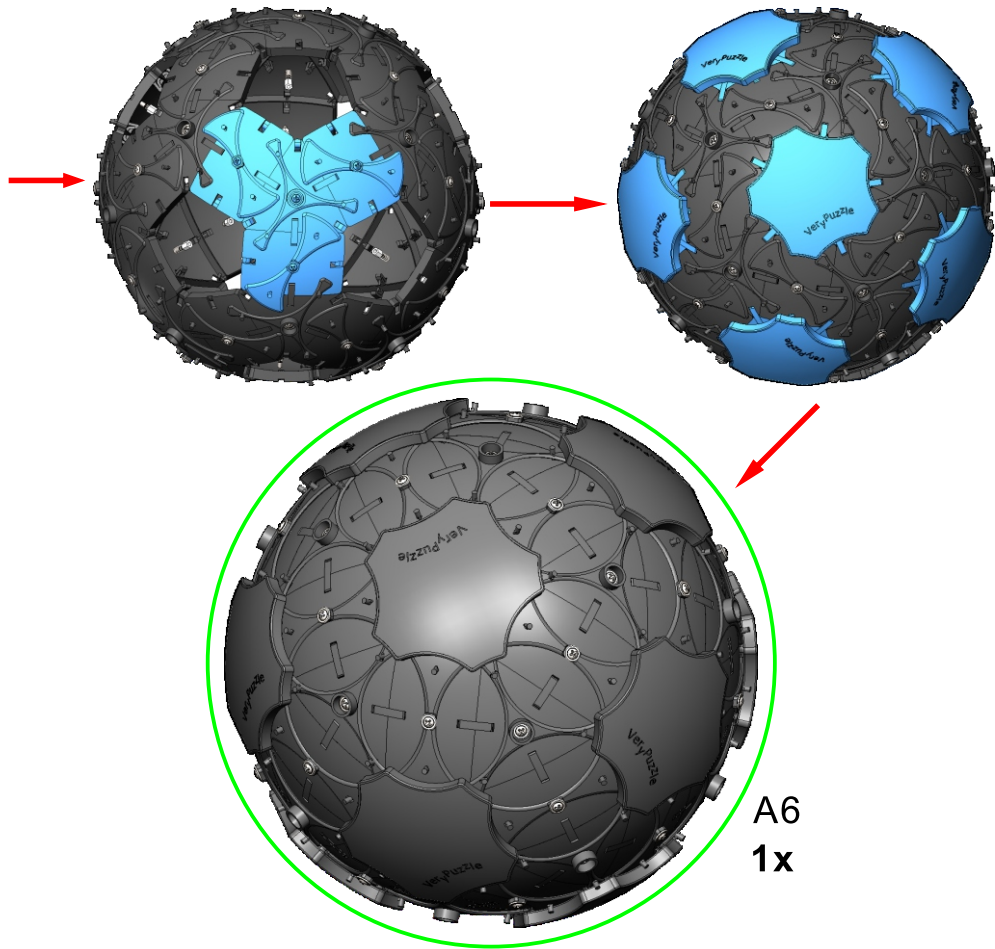


screw tension
no tension 0 1 2 3 4 5 6 7 8 9 tight

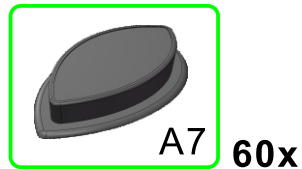
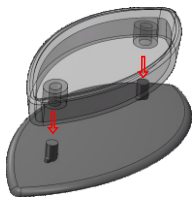
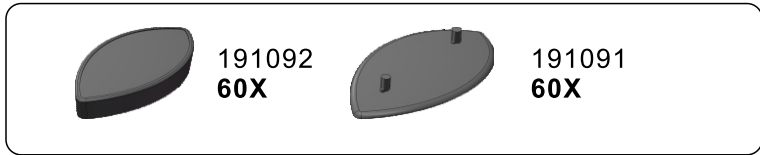
6

- A2 20x
- A4 12x
- A5 30x

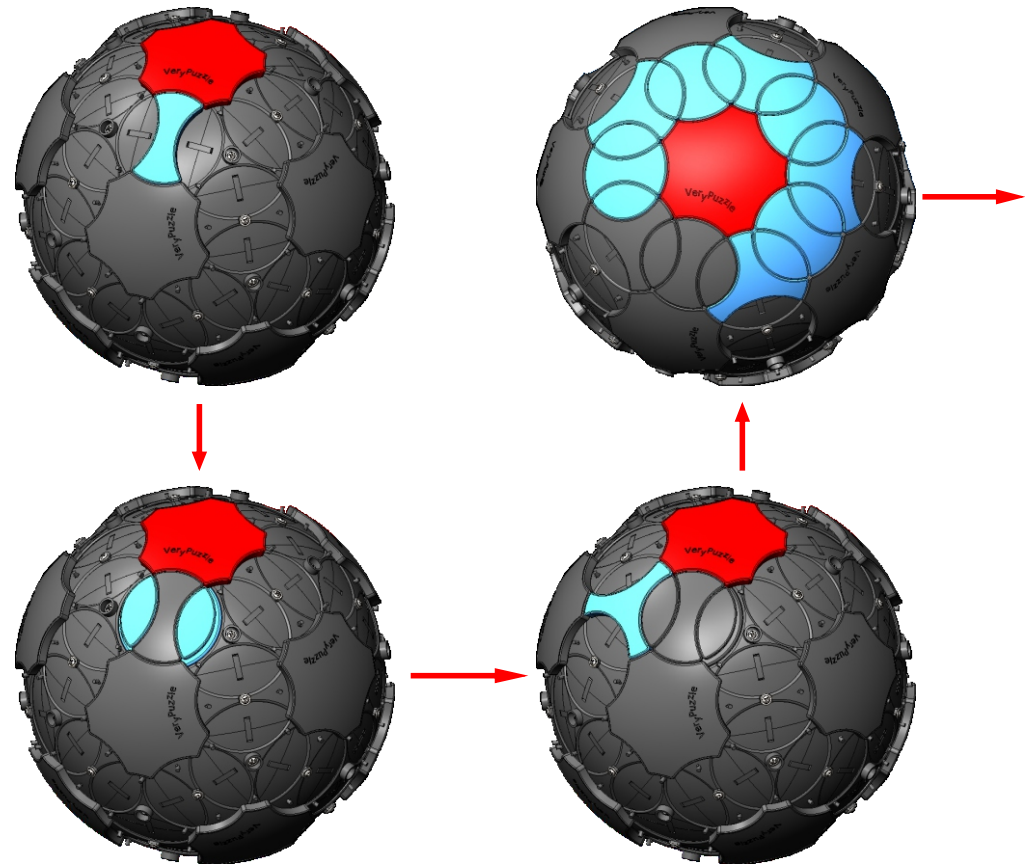
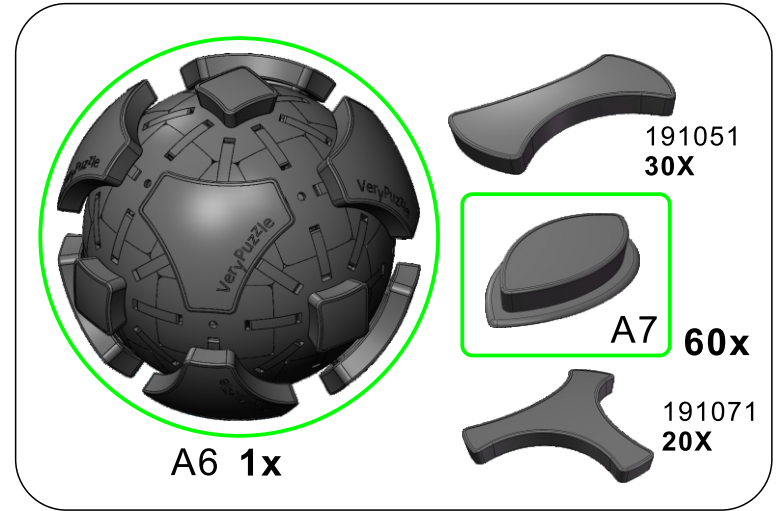




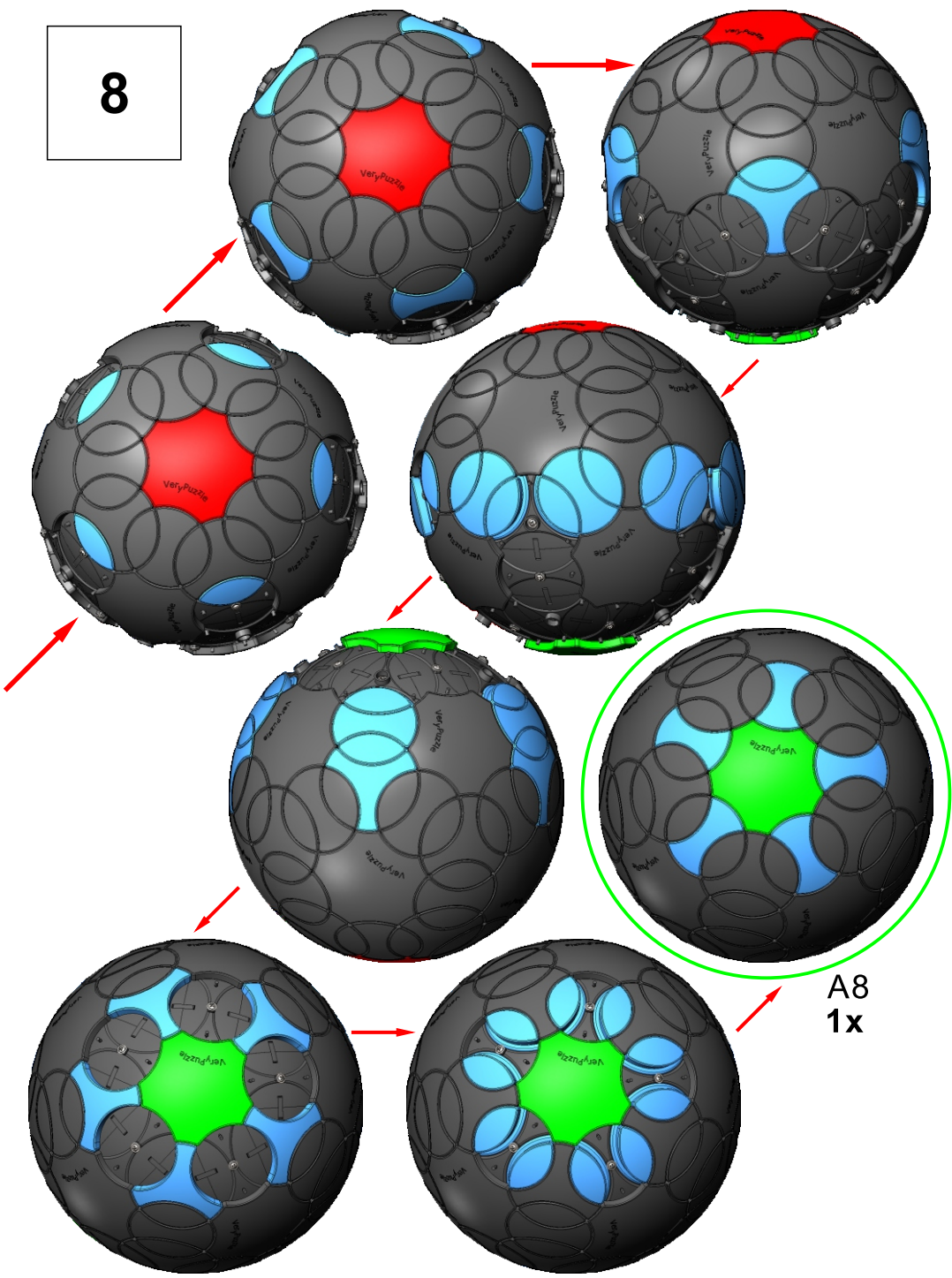
7



8

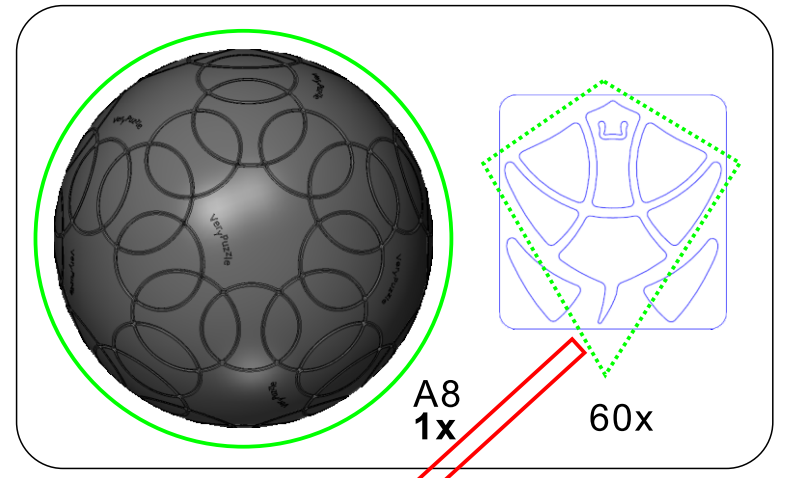


8



A8
1x

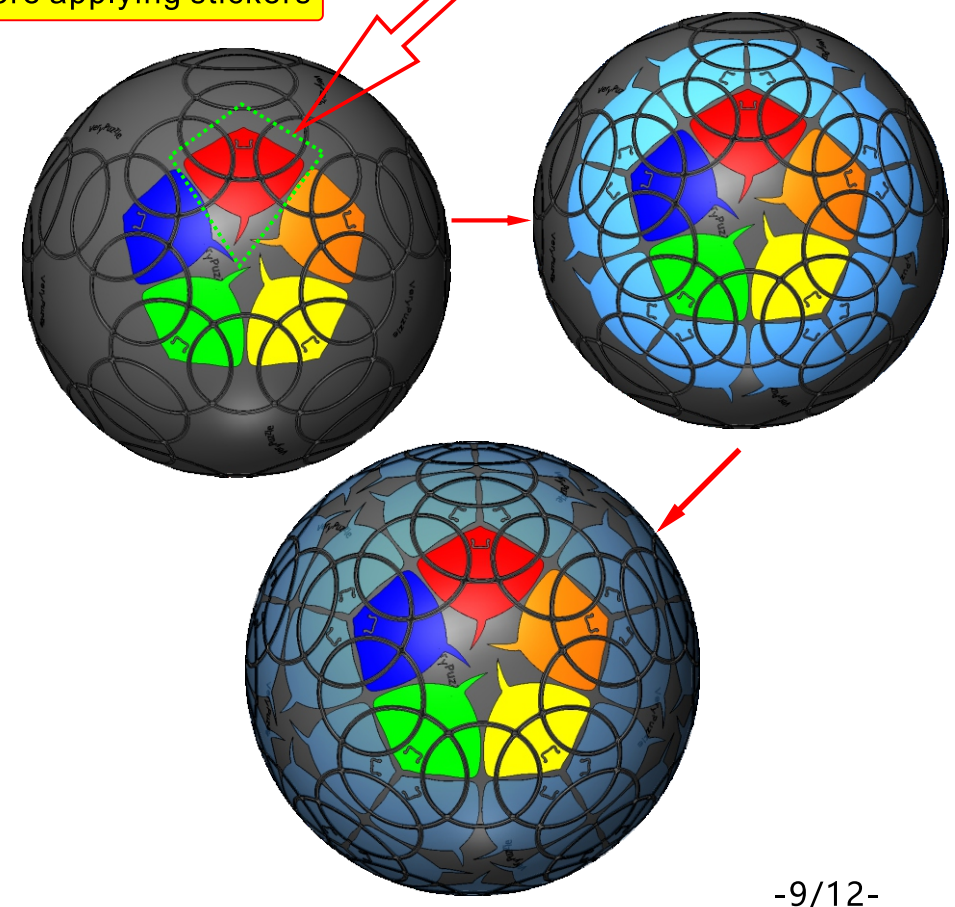
9



A8
1x

60x

Clean part surface
before applying stickers



10

Rotation Rules

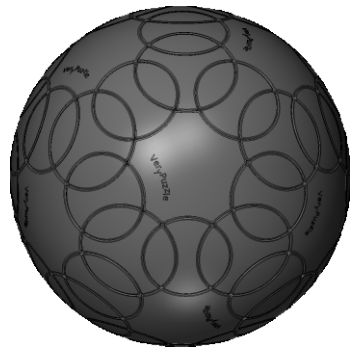
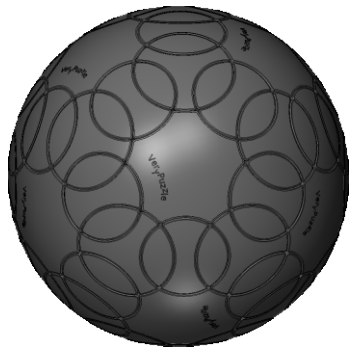


3-fold symmetry
Turns $120 \cdot n$ degrees



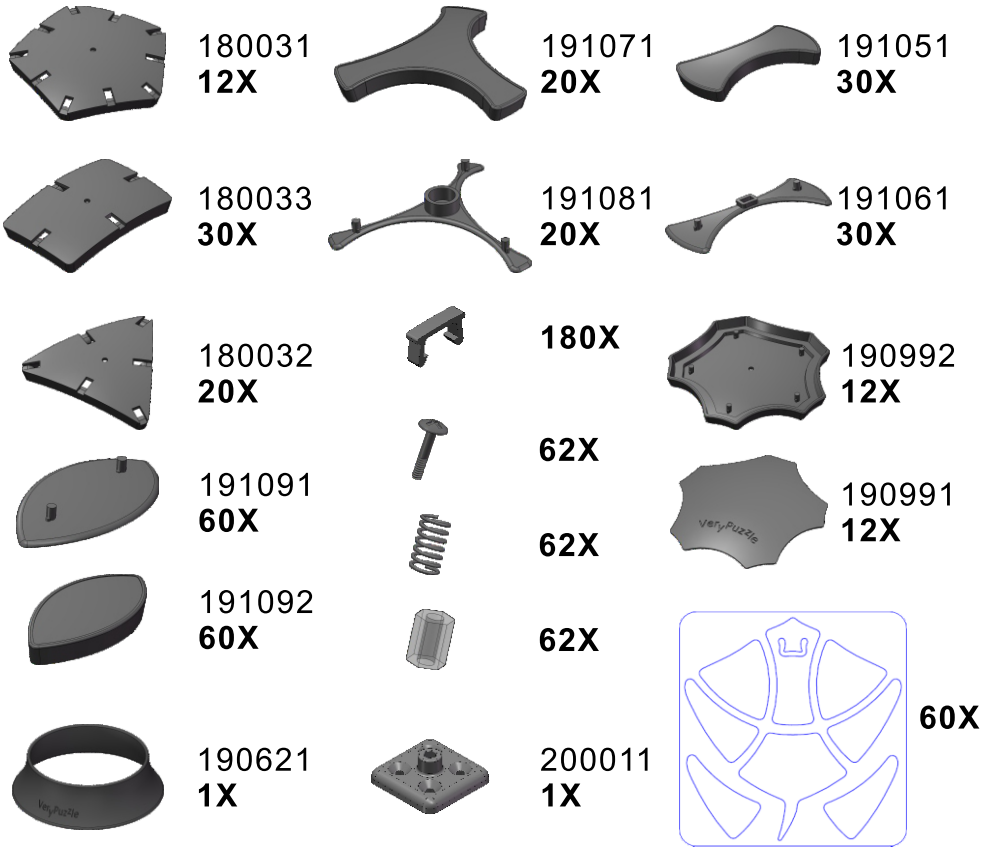
2-fold symmetry
Turns $180 \cdot n$ degrees

Notations and Algorithms



Product Information Card

| | |
|--|-------------------------|
| Product Name | IRT V1.0 |
| Model NO. | #81 |
| Design | VeryPuzzle Co., Ltd(HK) |
| Manufacturer | VeryPuzzle Co., Ltd(HK) |
| Year of release | 2020 |
| Maximum diameter | 195 mm |
| Visible moving parts | 122 pcs |
| Coloring strategy | Voronoi, artistic |
| Number of colors | 60 colors |
| Sticker type | textured, uniform matte |
| Sticker protection | Yes |
| Number of sticker pieces | 360 pcs |
| Axis & Symmetry | I(C3)+RT(C2) |
| Maximum parts shared between two axes | 1 parts |
| In-core spring | Yes |
| Adjustable tension | No |
| Technical Name | I1RT1-M3 |
| Topological Print | I17RT15 |
| Core specification | DIRT180 |



Customer Service

1. support@verypuzzle.com



VeryPuzzle