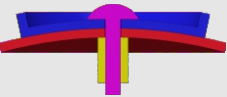
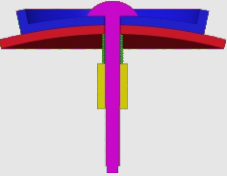
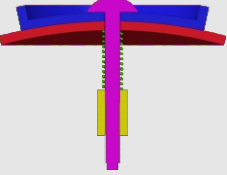
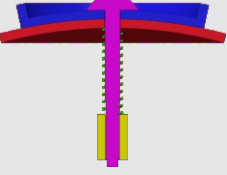


## How to tighten the screws

Find your model in the table

Assembly section	Tightness	Models
	tight (no spring)	#61,#75
	tight (spring in green)  (Short screw is recommended)	#72,#73,#77,#87,#88 #89
	medium (spring in green)	#94,#93,#90,#86,#85 #83,#82,#81,#80,#79 #78,#76,#71,#70,#69 #68,#67,#66,#65,#64 #63,#62,#60,#59
	loose (spring in green)	Mostly applicable to 'medium' category.  Not recommended in general.

1. Tighter is usually better since the spring we provide is soft.
2. Early products had been using longer screws. You can either insert thick washer when necessary or request for short screws in the <Accessory & free parts> directory at our homepage:  
<https://www.verypuzzle.com>

VeryPuzzle  
2024/04

# VeryPuzzle

## Icosahedron V1.0

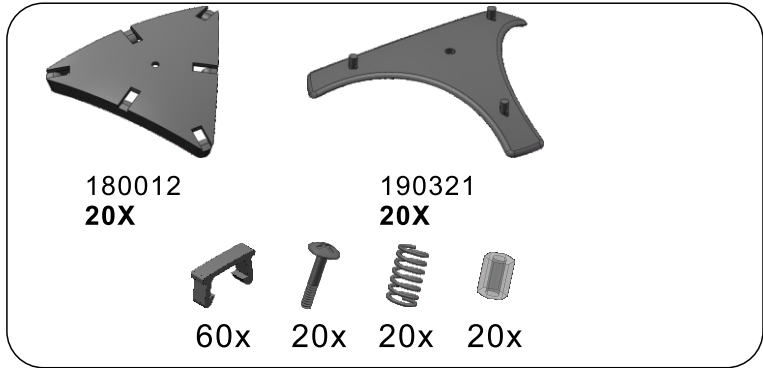
13

#66

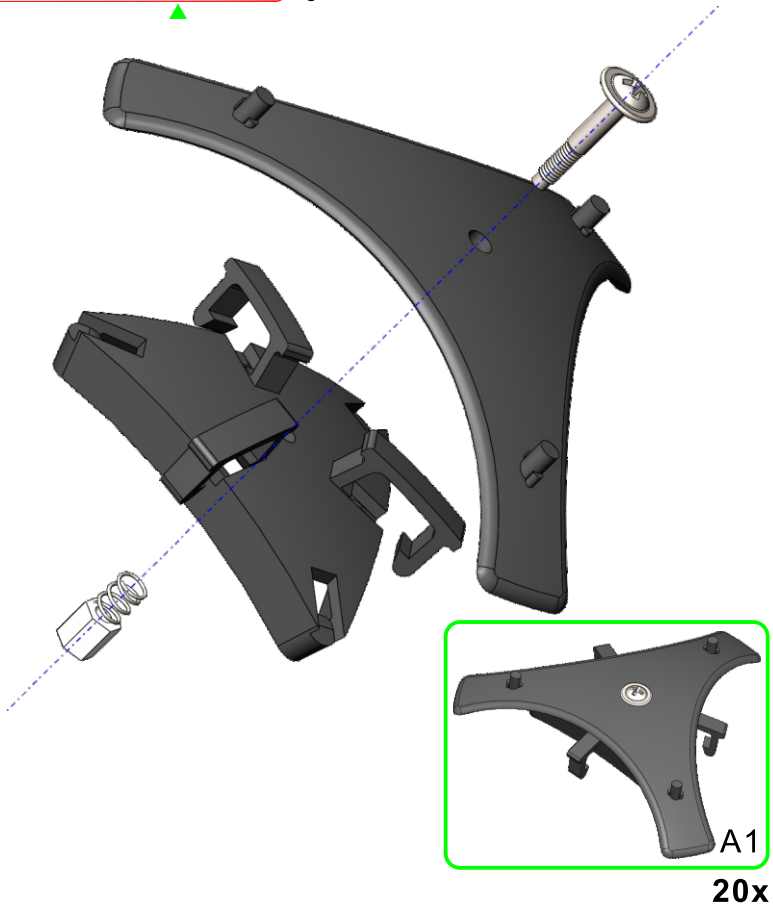
400+ parts  
20 axes



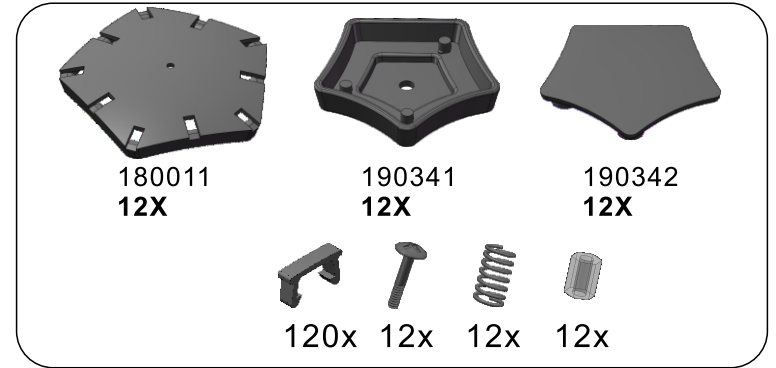
1



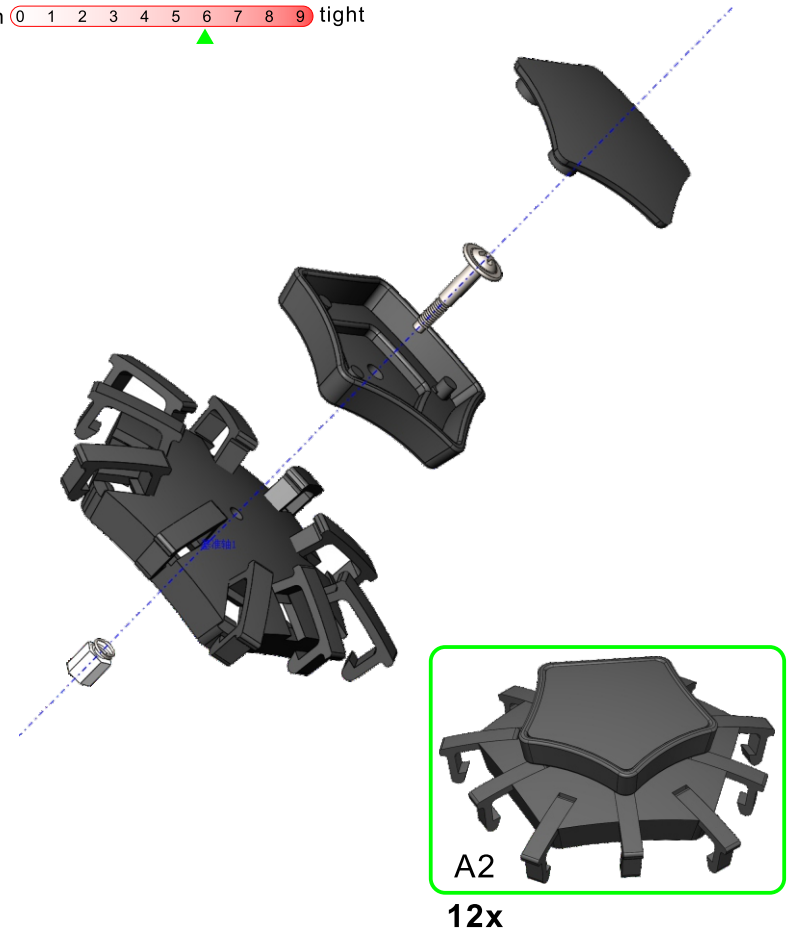
screw tension  
no tension 0 1 2 3 4 5 6 7 8 9 tight



2



screw tension  
no tension 0 1 2 3 4 5 6 7 8 9 tight

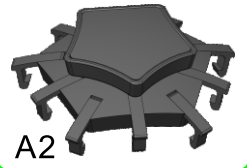


3



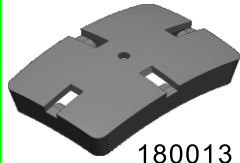
A1

20x

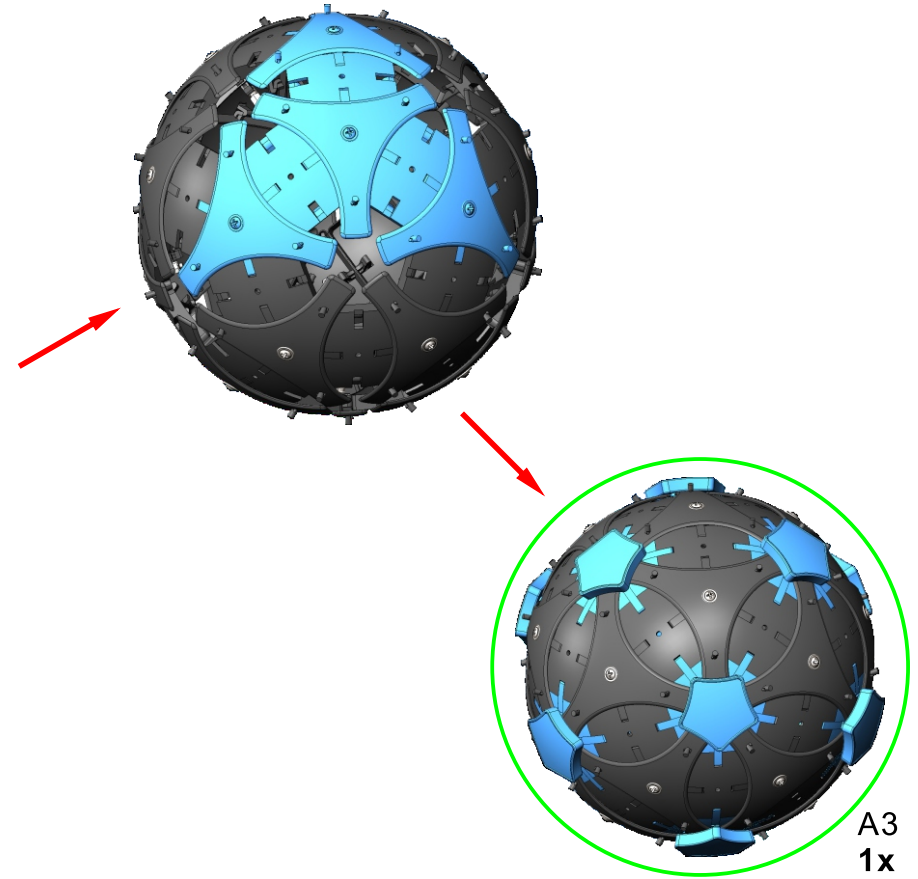
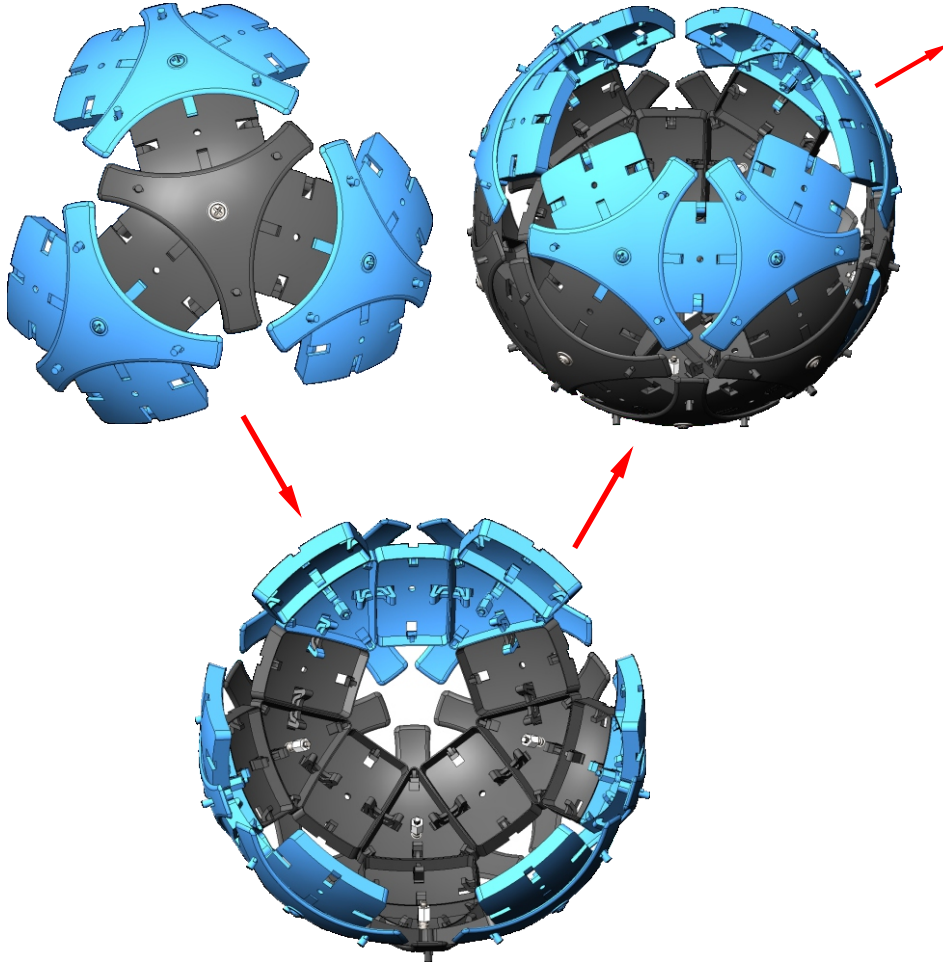


A2

12x



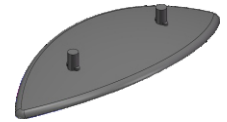
180013  
30X



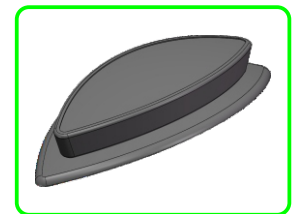
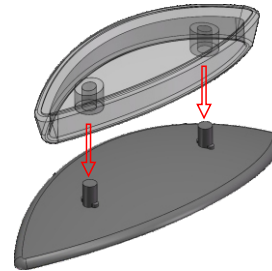
4



190332  
30X

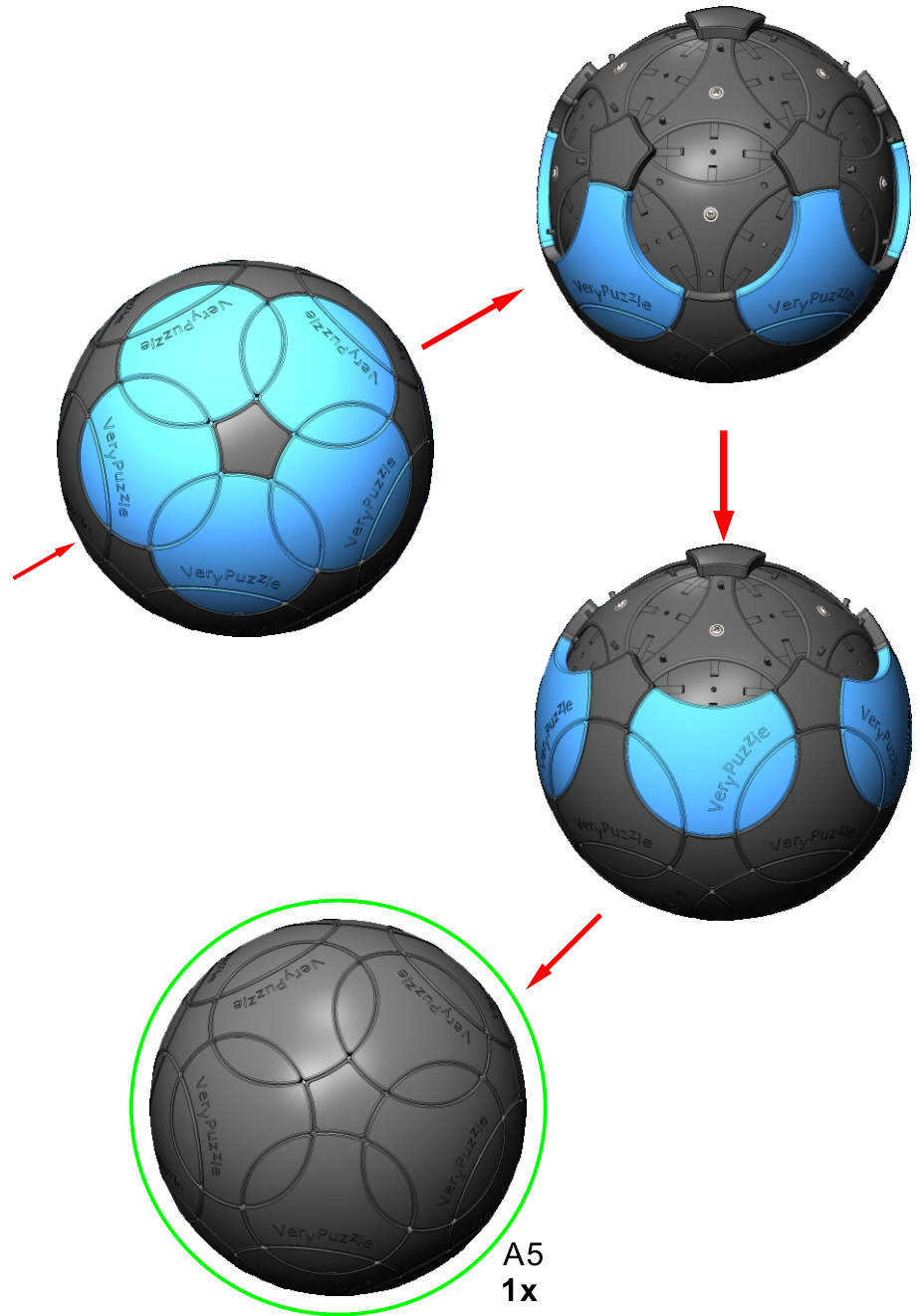
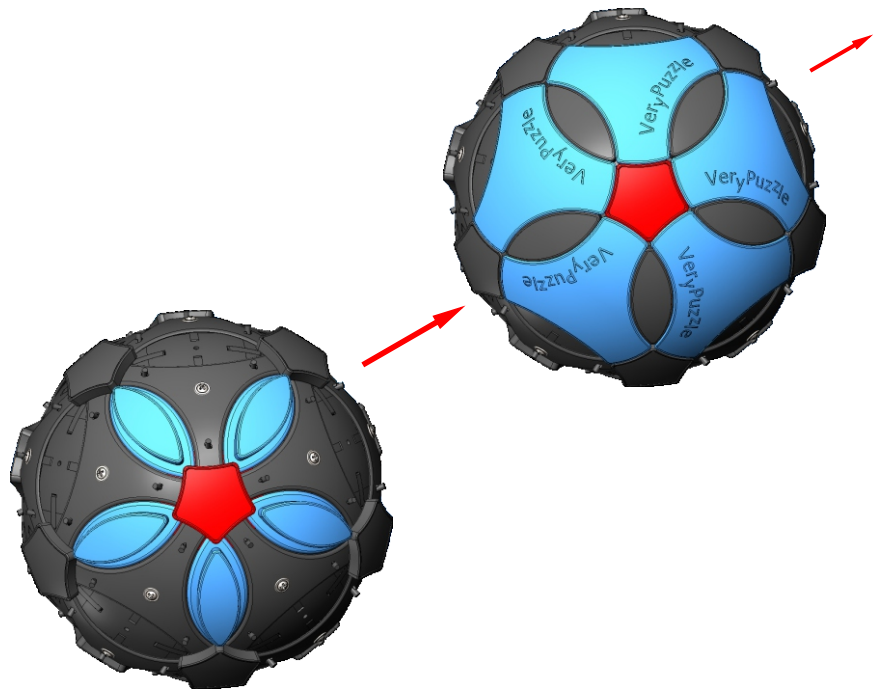
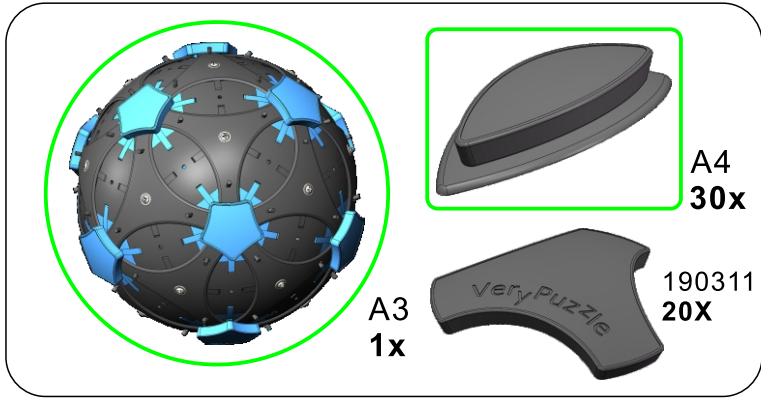


190331  
30X

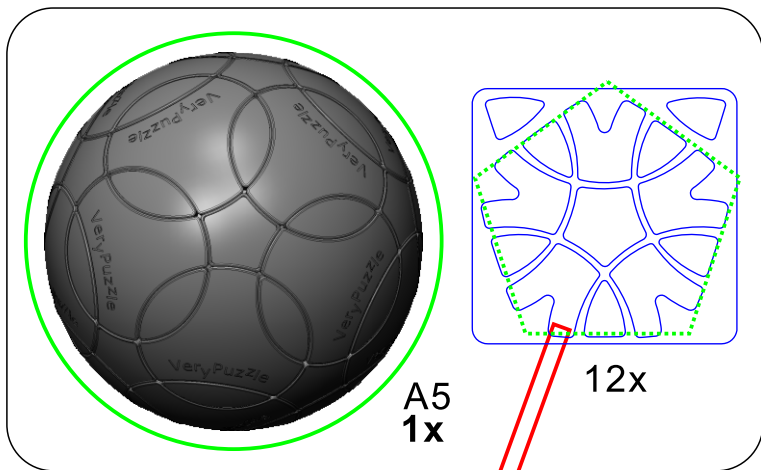


A4  
30x

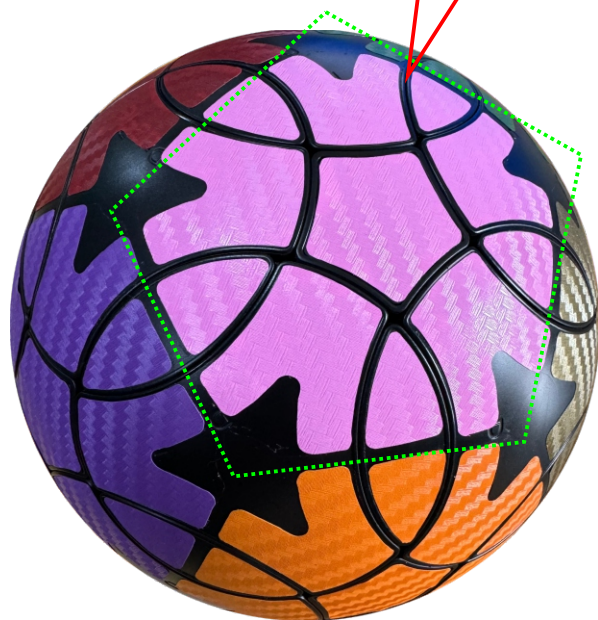
5



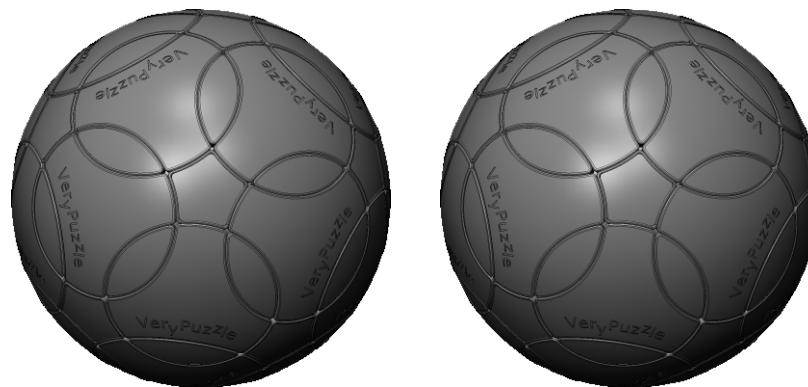
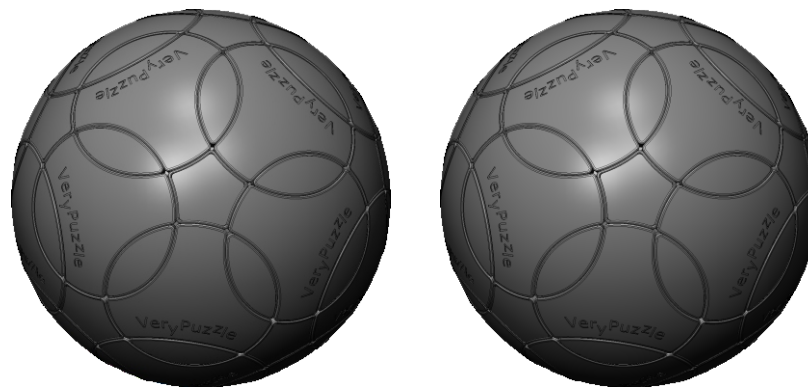
6



Clean part surface  
before applying stickers



## Notations and Algorithms



## 7

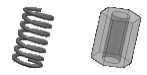
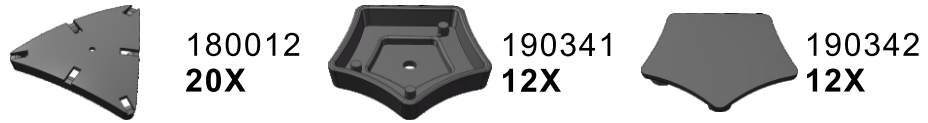
## Rotation Rules



3-fold symmetry  
Turns  $120 \cdot n$  degrees

## Product Information Card

<b>Product Name</b>	Icosahedron V1.0
<b>Model NO.</b>	#66
<b>Design</b>	VeryPuzzle Co., Ltd(HK)
<b>Manufacturer</b>	VeryPuzzle Co., Ltd(HK)
<b>Year of release</b>	2019
<b>Maximum diameter</b>	145 mm
<b>Visible moving parts</b>	62 pcs
<b>Coloring strategy</b>	Voronoi
<b>Number of colors</b>	12 colors
<b>Sticker type</b>	textured
<b>Sticker protection</b>	Yes
<b>Number of sticker pieces</b>	121 pcs
<b>Axis &amp; Symmetry</b>	I(C3)
<b>Maximum parts shared between two axes</b>	1 parts
<b>In-core spring</b>	Yes
<b>Adjustable tension</b>	No
<b>Technical Name</b>	I3
<b>Topological Print</b>	I27
<b>Core specification</b>	DIRT130



32X 32X



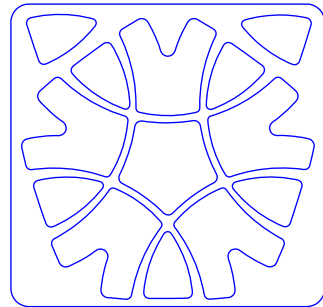
190621  
1X



200011  
1X



180X 32X



12X

## Customer Service

1. [support@verypuzzle.com](mailto:support@verypuzzle.com)



2. **VeryPuzzle**