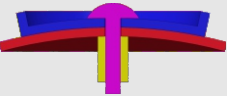
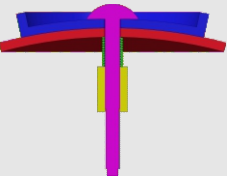
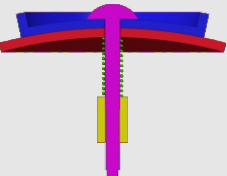
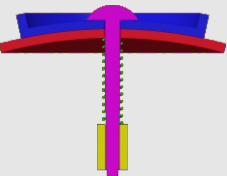


How to tighten the screws

Find your model in the table

Assembly section	Tightness	Models
	tight (no spring)	#61,#75
	tight (spring in green) (Short screw is recommended)	#72,#73,#77,#87,#88 #89
	medium (spring in green)	#94,#93,#90,#86,#85 #83,#82,#81,#80,#79 #78,#76,#71,#70,#69 #68,#67,#66,#65,#64 #63,#62,#60,#59
	loose (spring in green)	Mostly applicable to 'medium' category. Not recommended in general.

1. Tighter is usually better since the spring we provide is soft.
2. Early products had been using longer screws. You can either insert thick washer when necessary or request for short screws in the <Accessory & free parts> directory at our homepage:
<https://www.verypuzzle.com>

VeryPuzzle
2024/04

VeryPuzzle

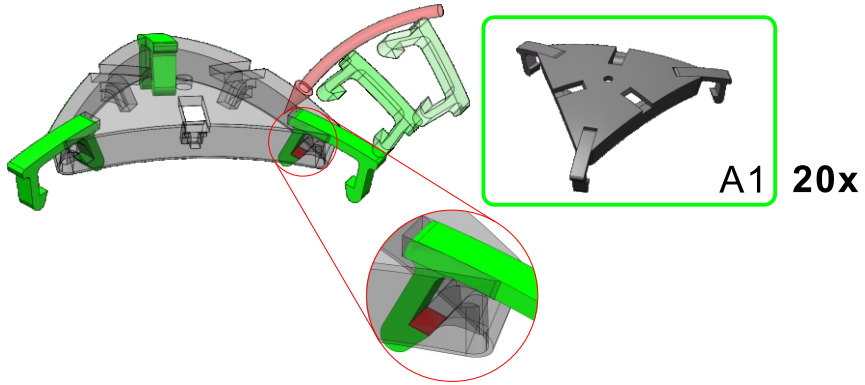
Rhombic Triacontahedron V1.0

RT5
#62

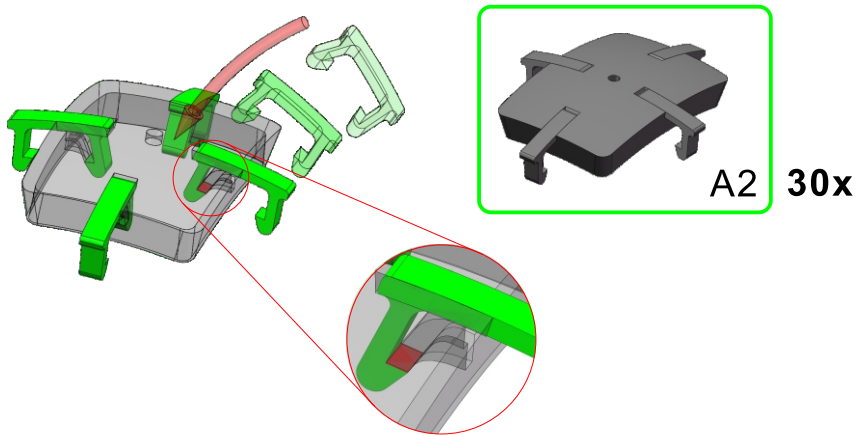
600+ parts
30 axes



1



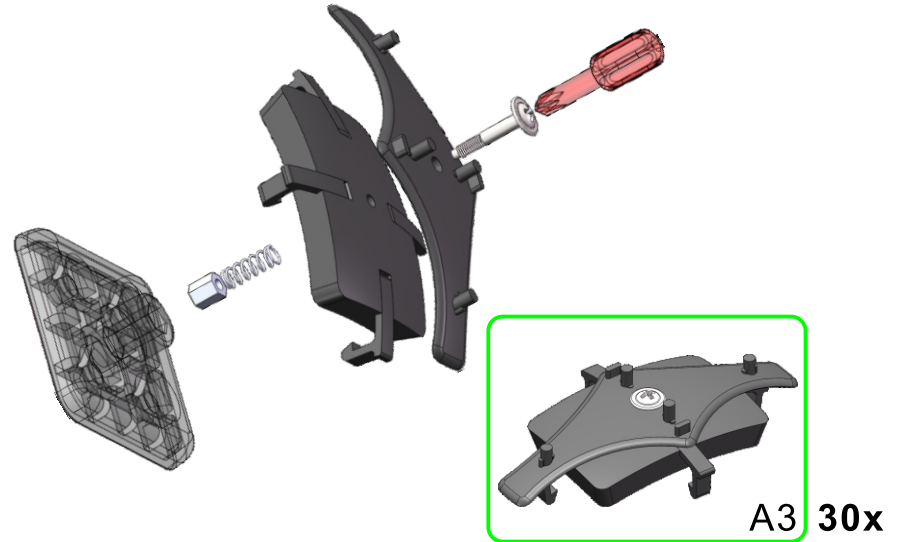
2



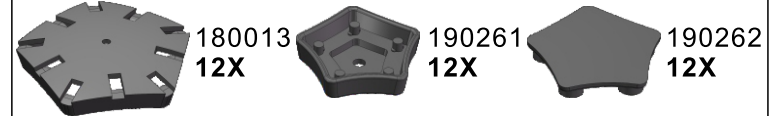
3



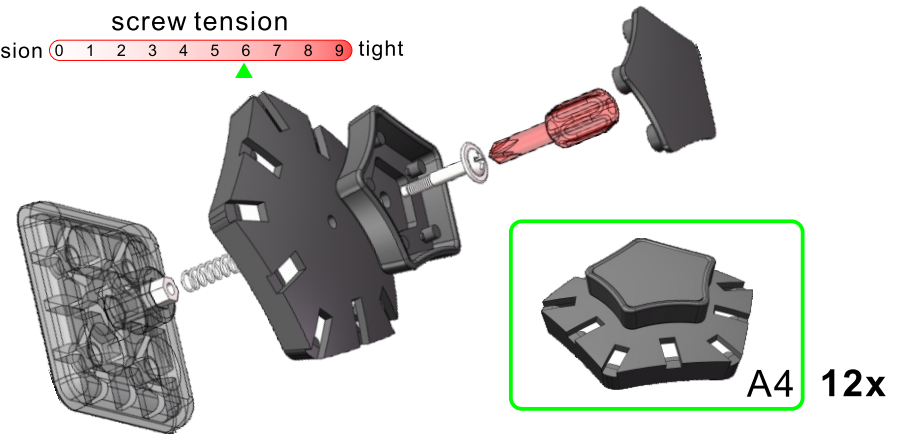
screw tension
no tension 0 1 2 3 4 5 6 7 8 9 tight



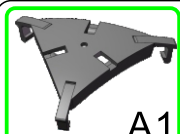
4



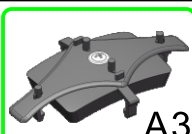
screw tension
no tension 0 1 2 3 4 5 6 7 8 9 tight



5



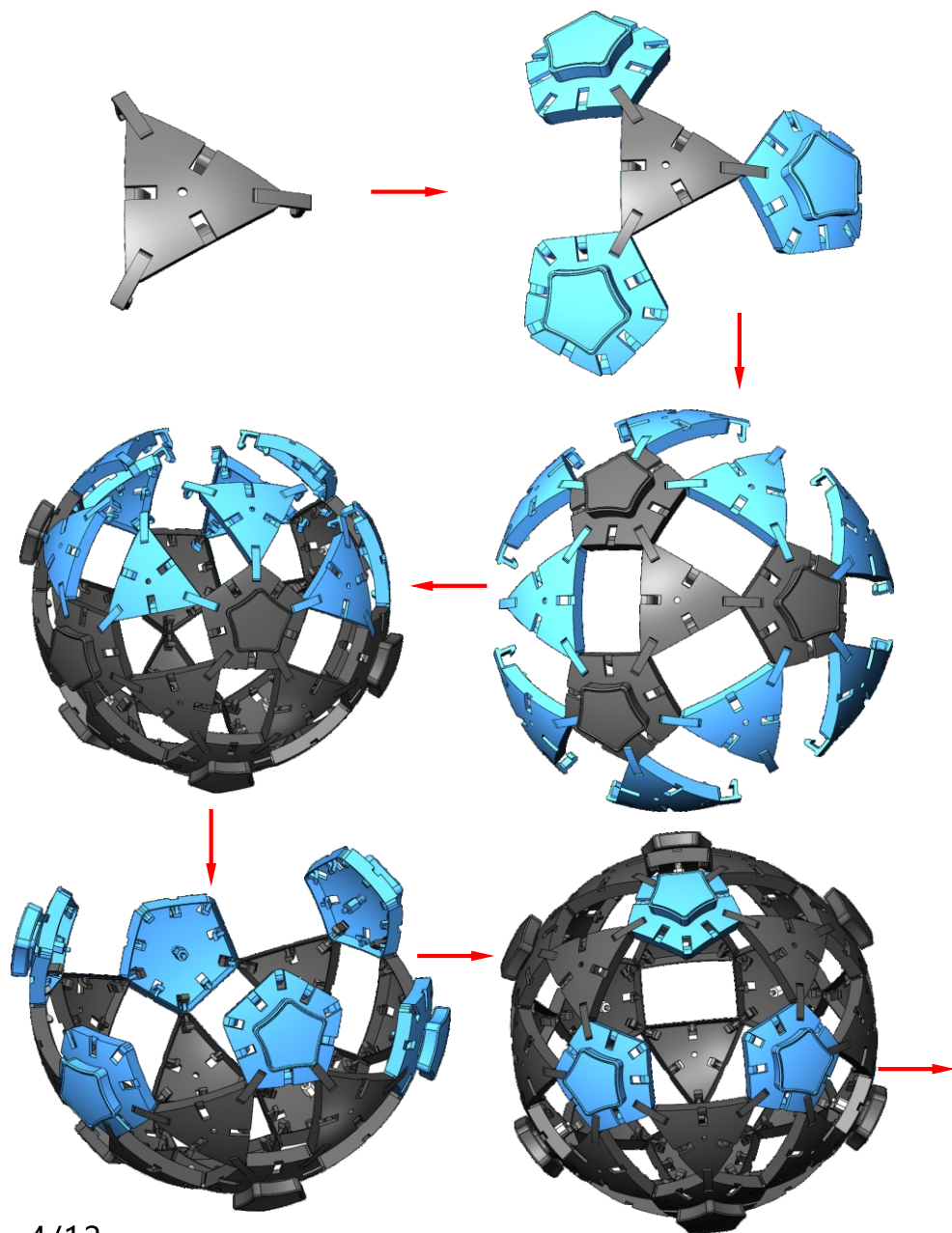
A1 20x



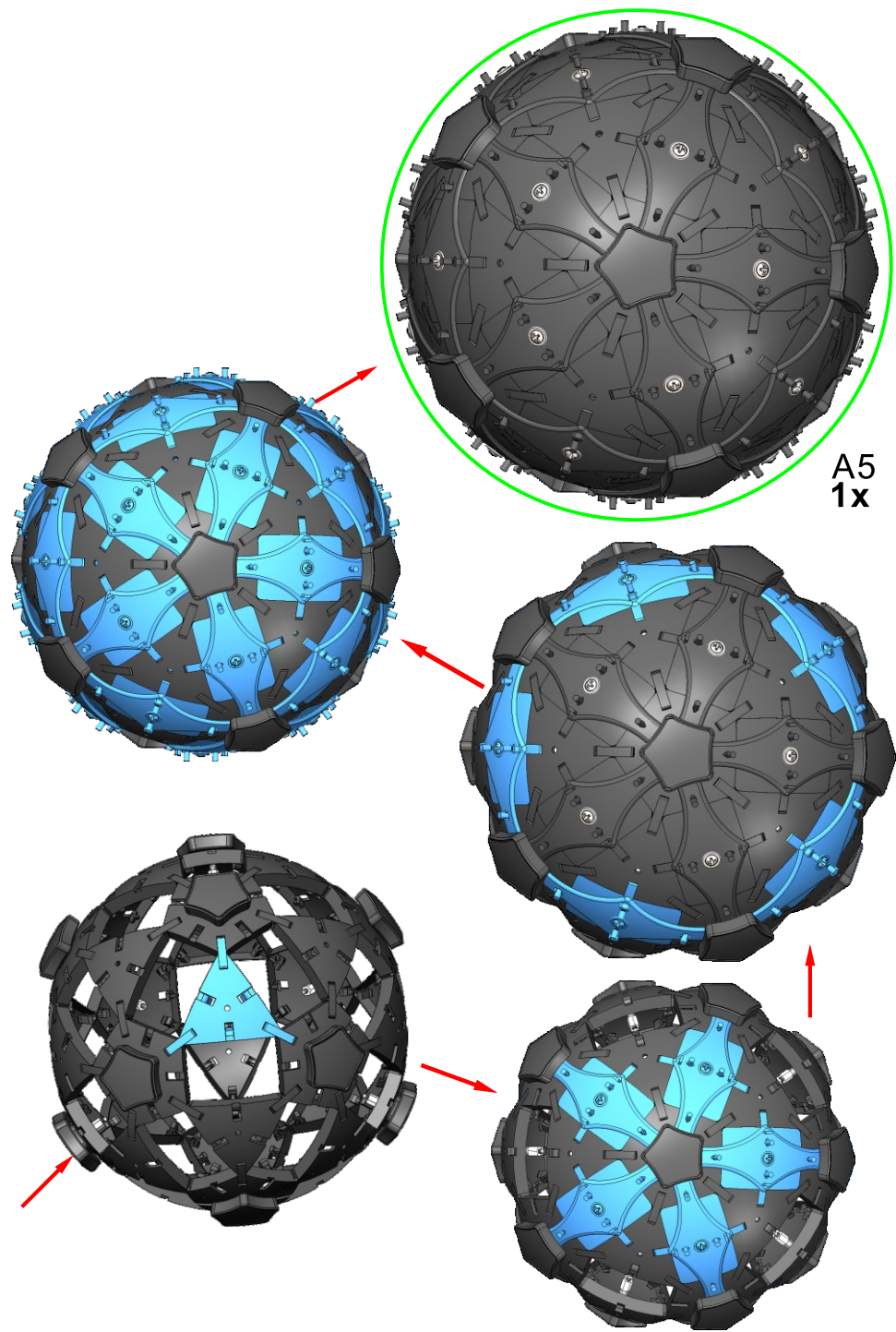
A3 30x



A4 12x

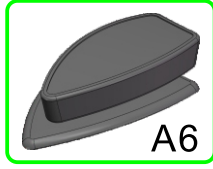
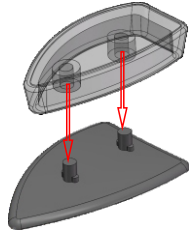
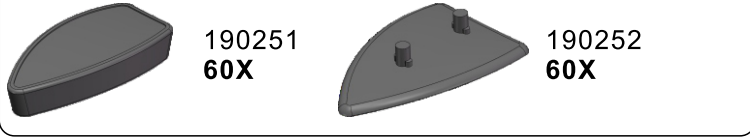


-4/12-



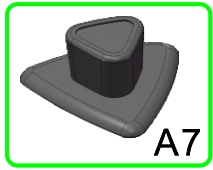
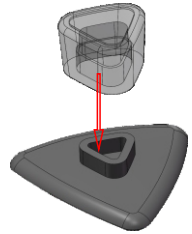
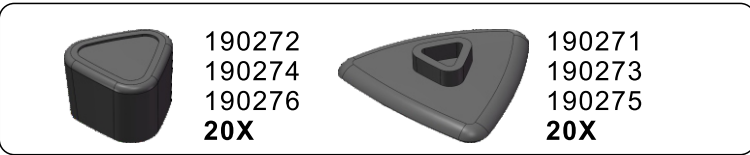
-5/12-

6



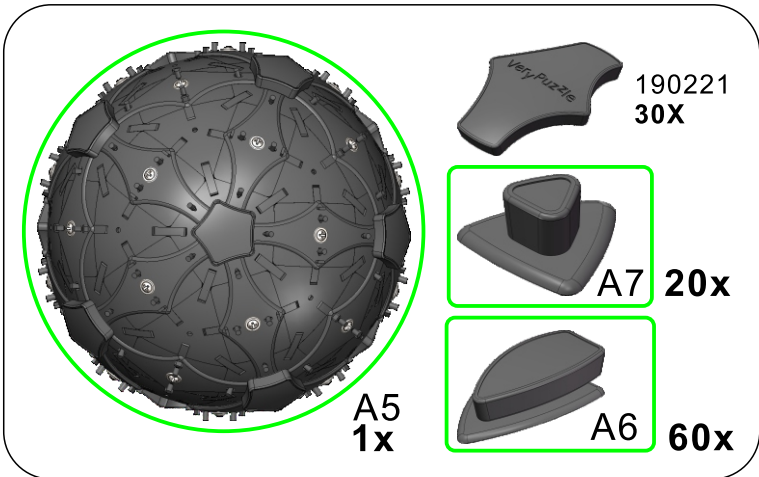
A6 60x

7

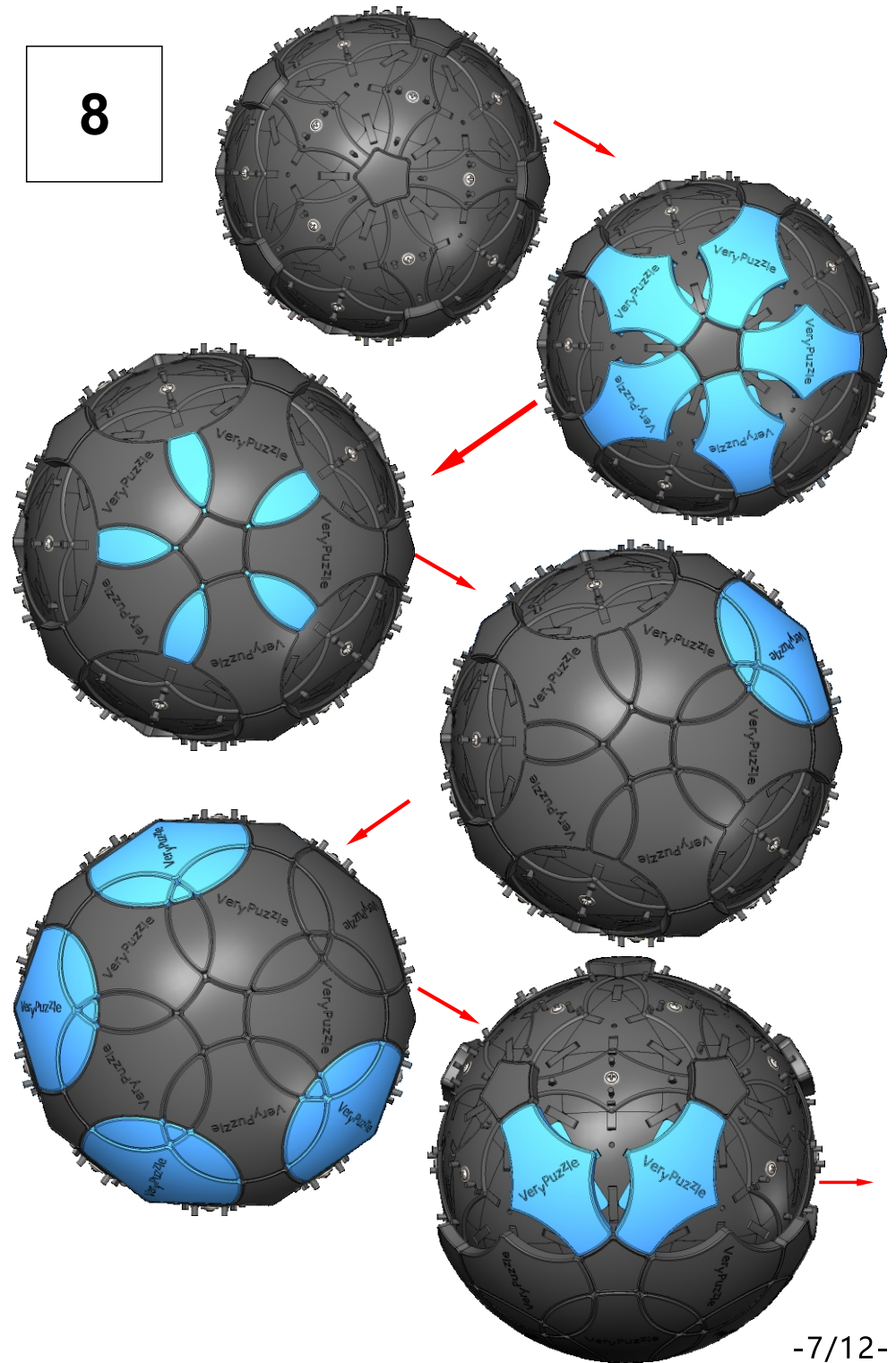


A7 20x

8



8



11

Rotation Rules



Symmetry: R4

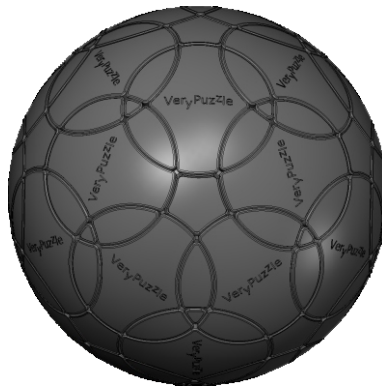
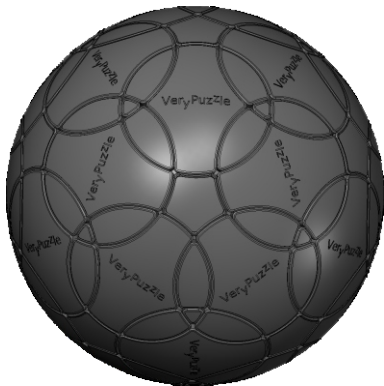
Legal angles:

1. $n \cdot 180 \pm 63.43$

2. $n \cdot 180$

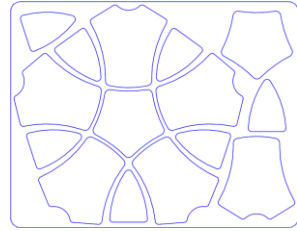
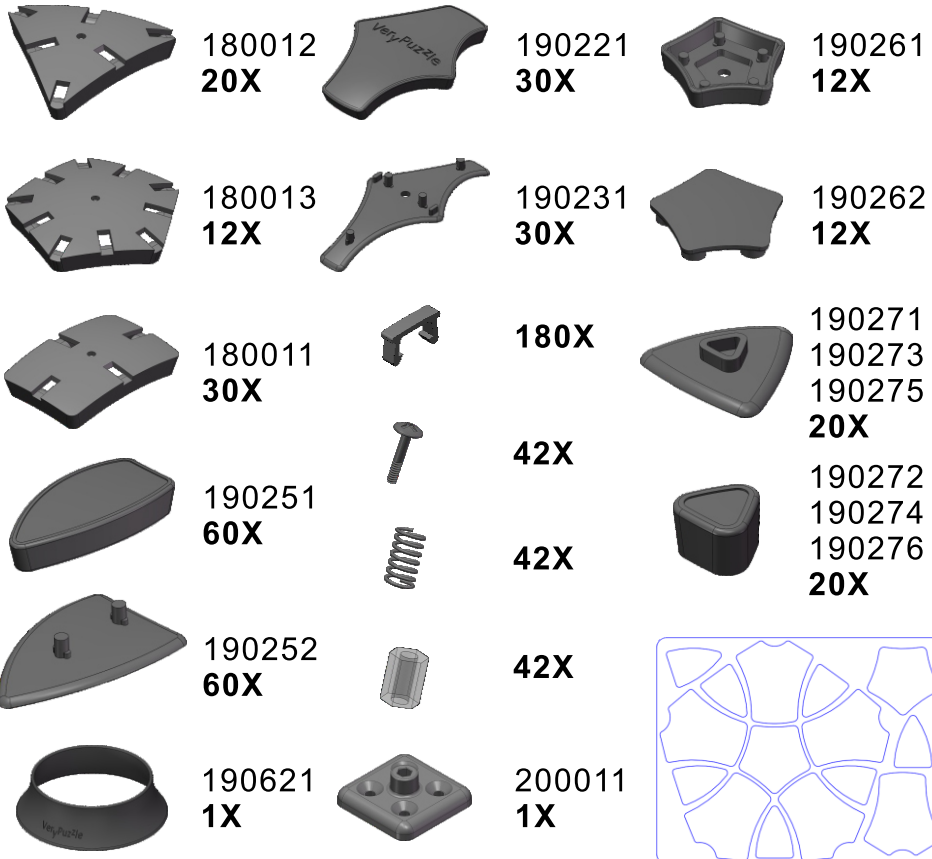
$n=0,1,\dots$

Notations and Algorithms

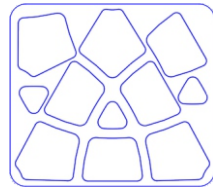


Product Information Card

Product Name	Rhombic Triacontahedron V1.0
Model NO.	#62
Design	VeryPuzzle Co., Ltd(HK)
Manufacturer	VeryPuzzle Co., Ltd(HK)
Year of release	2019
Maximum diameter	145 mm
Visible moving parts	122 pcs
Coloring strategy	mixed Voronoi & Delauney
Number of colors	32 colors
Sticker type	textured & uniform matt
Sticker protection	Yes
Number of sticker pieces	272 pcs
Axis & Symmetry	RT(R4)
Maximum parts shared between two axes	2 parts
In-core spring	Yes
Adjustable tension	No
Technical Name	RT5
Topological Print	RT24
Core specification	DIRT130



12X



20X

Customer Service

1. support@verypuzzle.com

