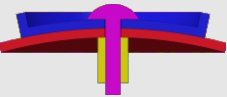
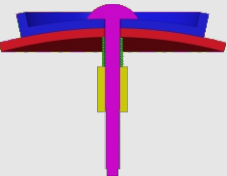
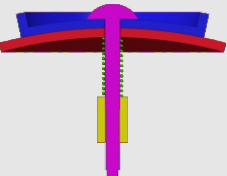
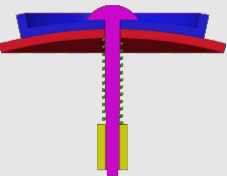


## How to tighten the screws

Find your model in the table

Assembly section	Tightness	Models
	tight (no spring)	#61,#75
	tight (spring in green)  (Short screw is recommended)	#72,#73,#77,#87,#88 #89
	medium (spring in green)	#94,#93,#90,#86,#85 #83,#82,#81,#80,#79 #78,#76,#71,#70,#69 #68,#67,#66,#65,#64 #63,#62,#60,#59
	loose (spring in green)	Mostly applicable to 'medium' category.  Not recommended in general.

1. Tighter is usually better since the spring we provide is soft.
2. Early products had been using longer screws. You can either insert thick washer when necessary or request for short screws in the <Accessory & free parts> directory at our homepage:  
<https://www.verypuzzle.com>

VeryPuzzle  
2024/04

# VeryPuzzle

## Spherical Tuttminx 66

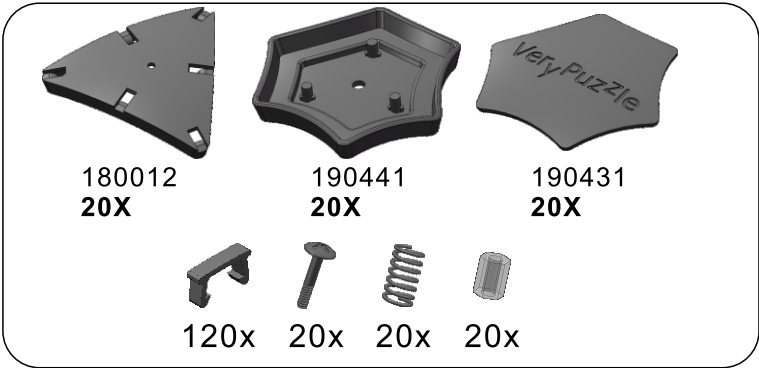
### D1I3-M5-C1

### #70

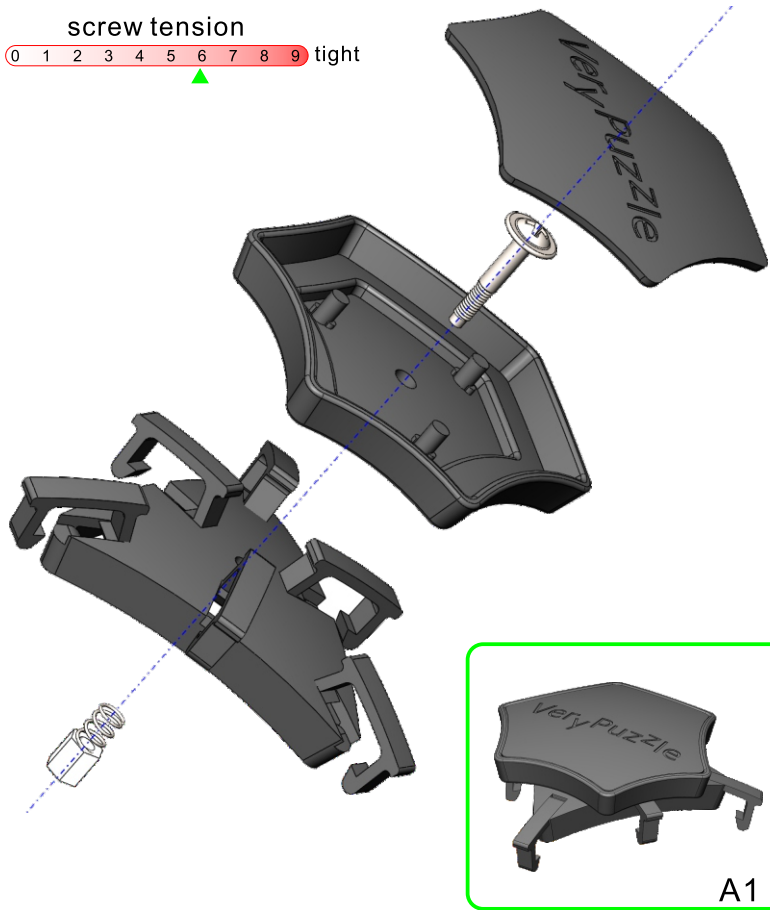
700+ parts  
32 axes



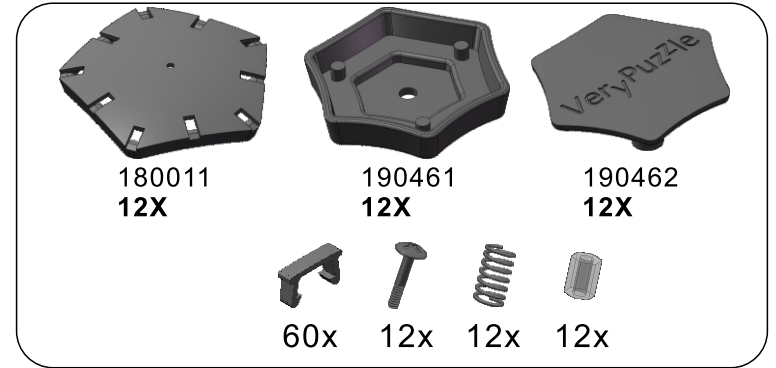
1



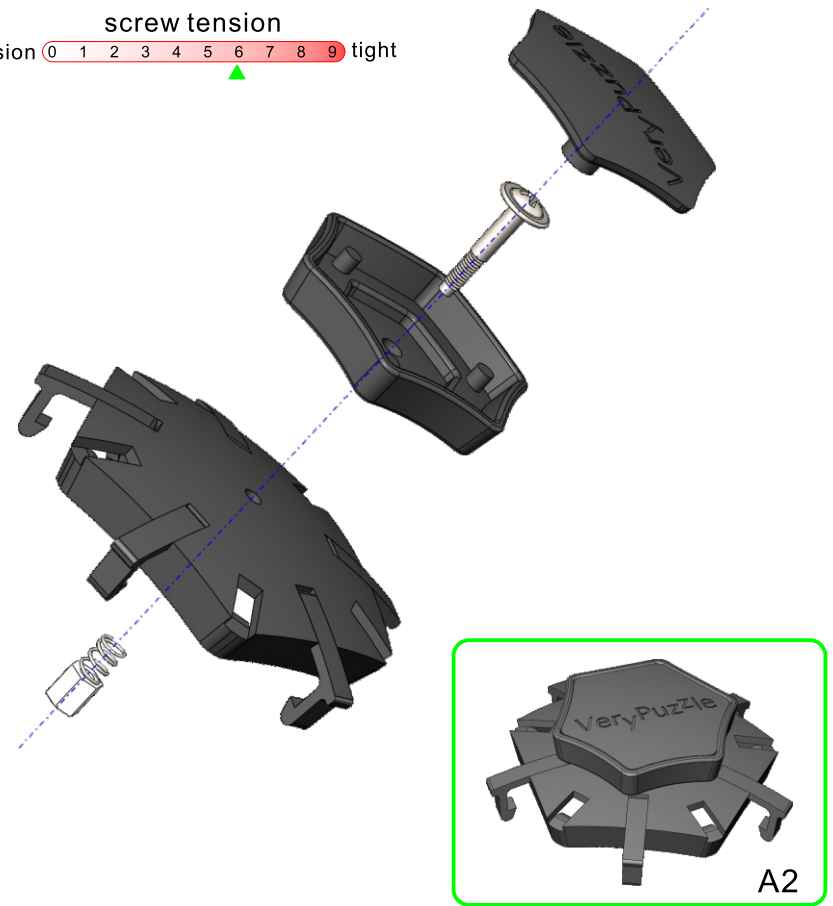
screw tension  
no tension 0 1 2 3 4 5 6 7 8 9 tight



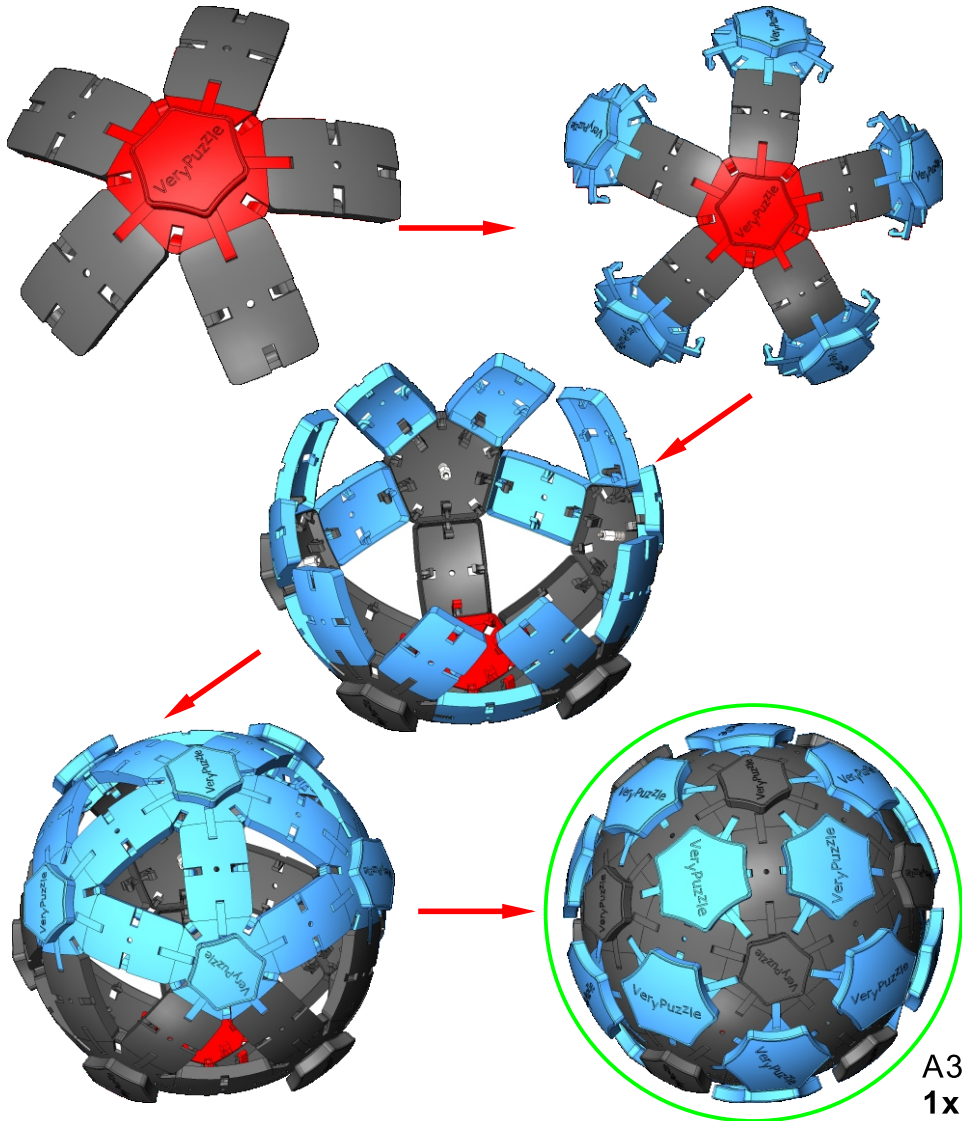
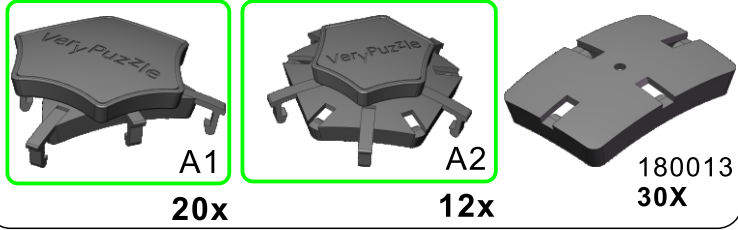
2



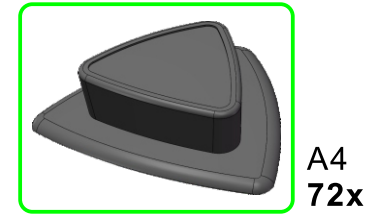
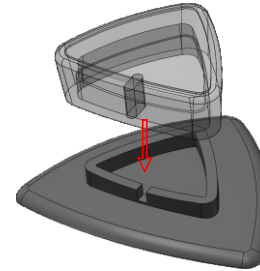
screw tension  
no tension 0 1 2 3 4 5 6 7 8 9 tight



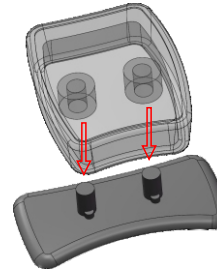
3



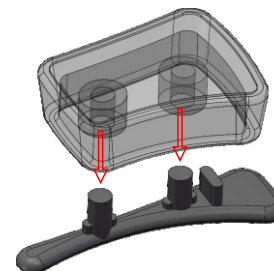
4



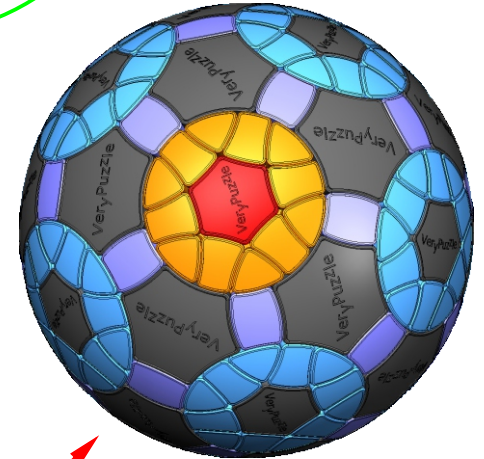
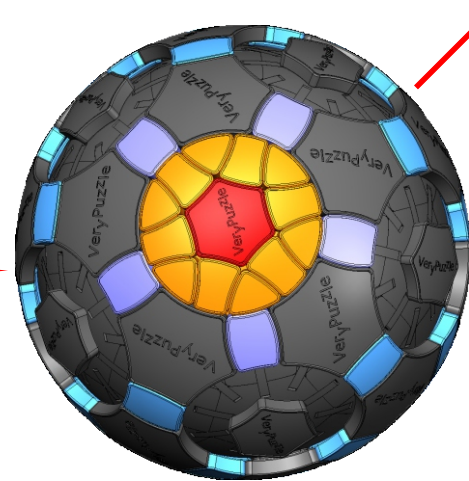
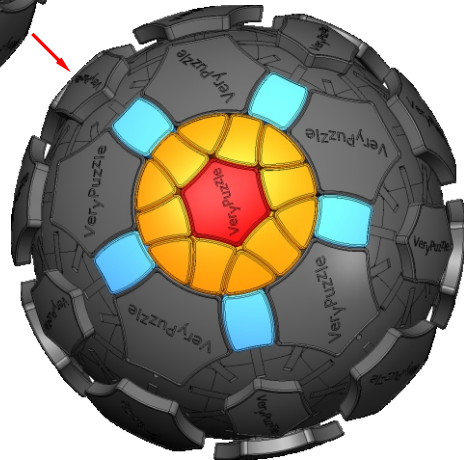
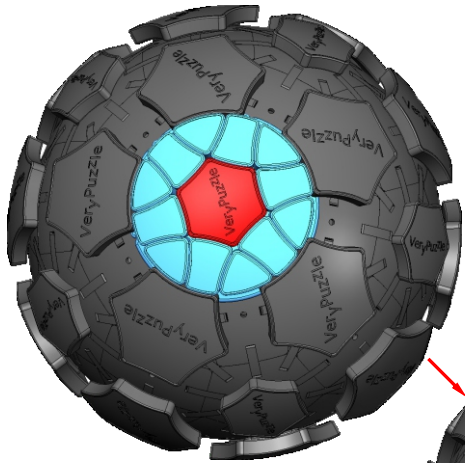
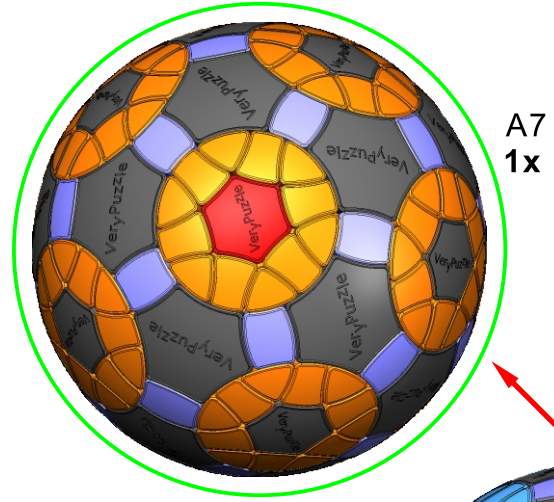
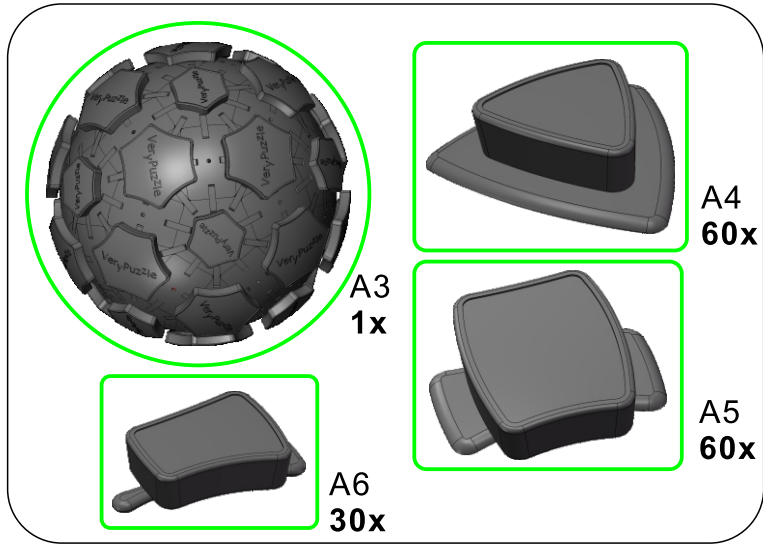
5



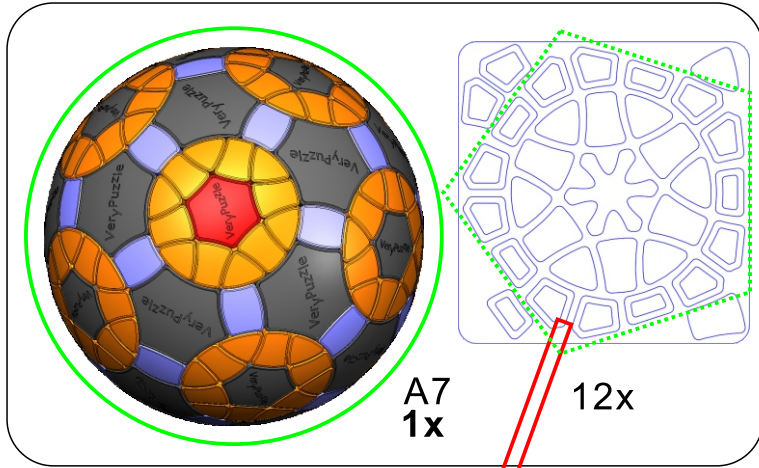
6



7



8



Clean part surface before applying stickers



9

# Rotation Rules

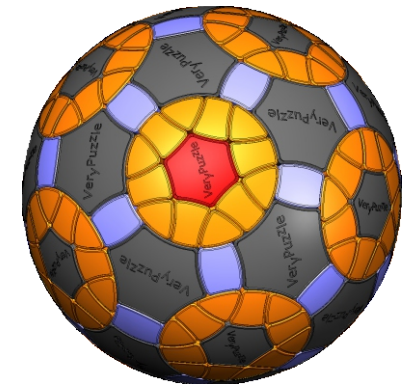
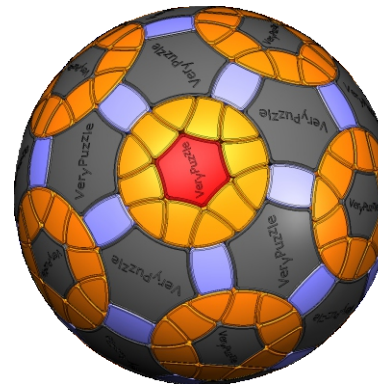


3-fold symmetry  
Turns  $120 \cdot n$  degrees

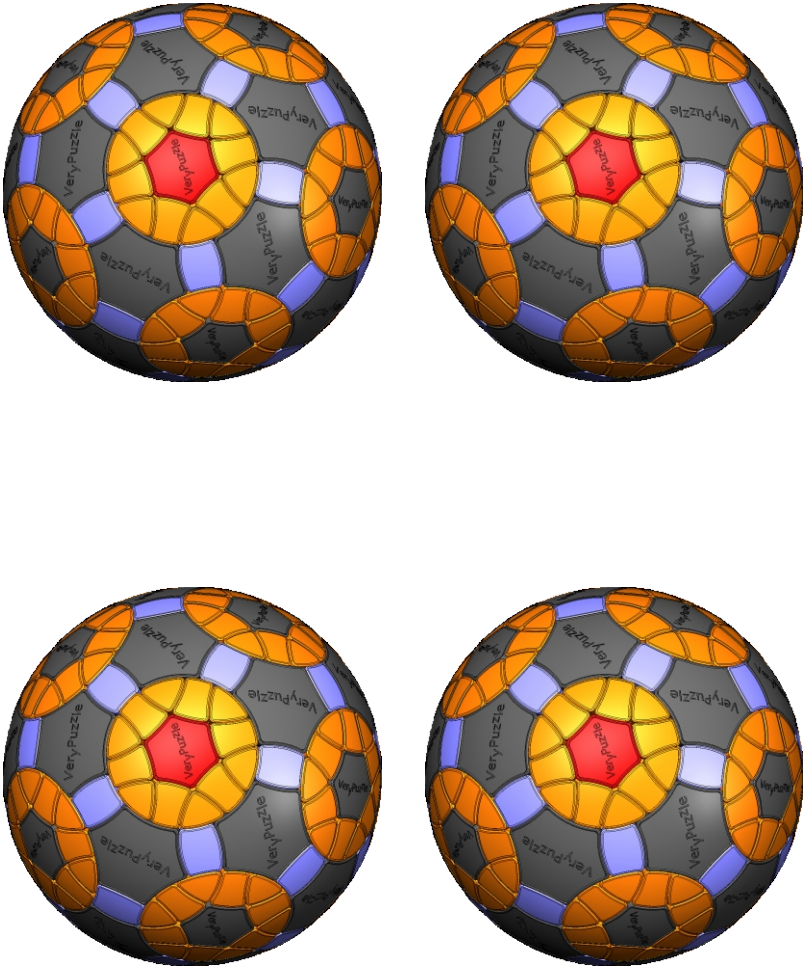


6-fold symmetry  
Turns  $60 \cdot n$  degrees

# Notations and Algorithms

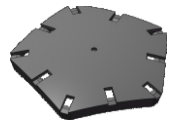


# Notations and Algorithms



## Product Information Card

<b>Product Name</b>	Spherical Tuttminx 66
<b>Model NO.</b>	#70
<b>Design</b>	VeryPuzzle Co., Ltd(HK)
<b>Manufacturer</b>	VeryPuzzle Co., Ltd(HK)
<b>Year of release</b>	2019
<b>Maximum diameter</b>	145 mm
<b>Visible moving parts</b>	206 pcs
<b>Coloring strategy</b>	Voronoi
<b>Number of colors</b>	32 colors
<b>Sticker type</b>	simplified Delauney
<b>Sticker protection</b>	Yes
<b>Number of sticker pieces</b>	336 pcs
<b>Axis &amp; Symmetry</b>	$D(C6)+I(C3)$
<b>Maximum parts shared between two axes</b>	3 parts
<b>In-core spring</b>	Yes
<b>Adjustable tension</b>	No
<b>Technical Name</b>	D113-C1
<b>Topological Print</b>	D24I27
<b>Core specification</b>	DIRT130



180011  
12X



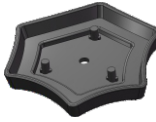
190431  
20X



190452  
72X



180013  
30X



190441  
20X



190454  
72X



180012  
20X



190421  
190422  
30X



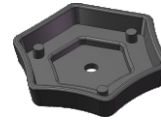
190462  
12X



190451  
72X



190423  
190424  
30X



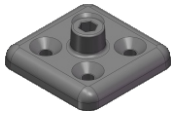
190461  
12X



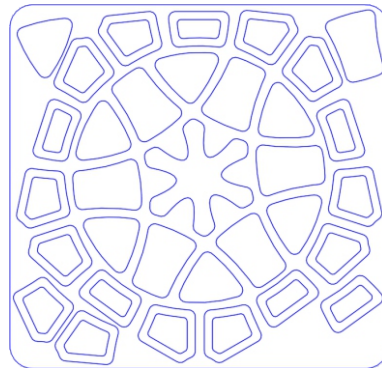
190453  
72X



190621  
1X



200011  
1X



12X



180X 32X 32X 32X

## Customer Service

1. [support@verypuzzle.com](mailto:support@verypuzzle.com)



2. **VeryPuzzle**