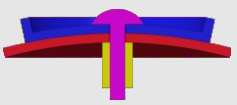
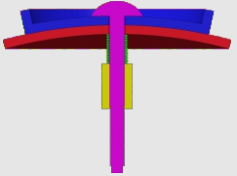
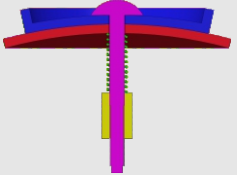
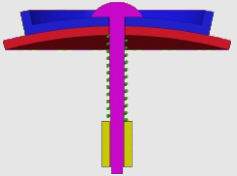


How to tighten the screws

Find your model in the table



Assembly section	Tightness	Models
	tight (no spring)	#61,#75
	tight (spring in green) (Short screw is recommended)	#72,#73,#77,#87,#88 #89
	medium (spring in green)	#94,#93,#90,#86,#85 #83,#82,#81,#80,#79 #78,#76,#71,#70,#69 #68,#67,#66,#65,#64 #63,#62,#60,#59
	loose (spring in green)	Mostly applicable to 'medium' category. Not recommended in general.

1. Tighter is usually better since the spring we provide is soft.

2. Early products had been using longer screws. You can either insert thick washer when necessary or request for short screws in the <Accessory & free parts> directory at our homepage:
<https://www.verypuzzle.com>

VeryPuzzle
2024/04

VeryPuzzle

Megaminx Ball V1.0

D5

#59

200+ parts
12 axes



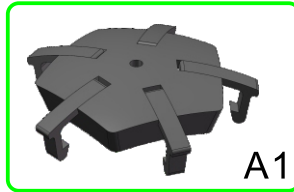
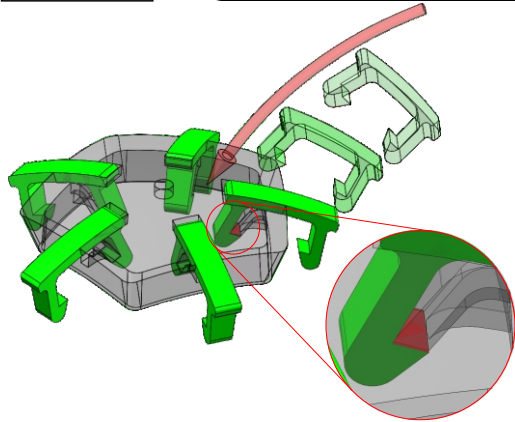
1



12x



60x



A1 12x

2



A1 12x

190061



12x

190051



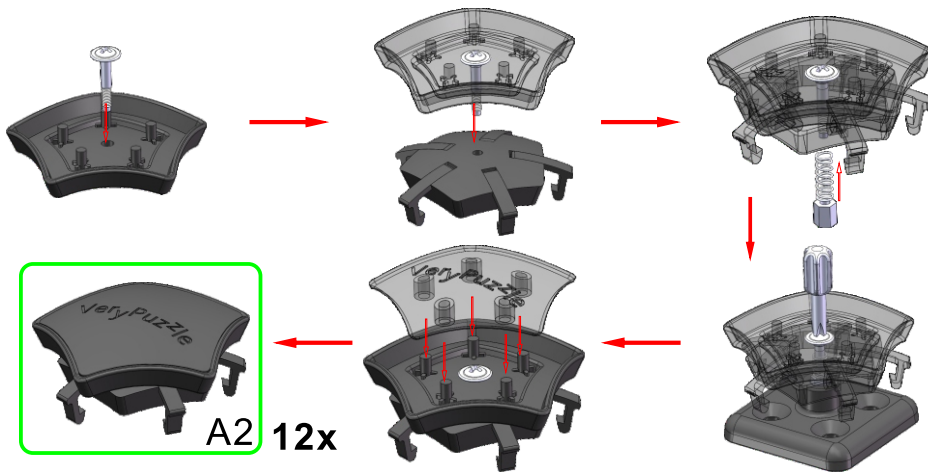
12x



12x12x12x

screw tension

no tension 0 1 2 3 4 5 6 7 8 9 tight

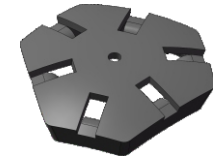


A2 12x

3



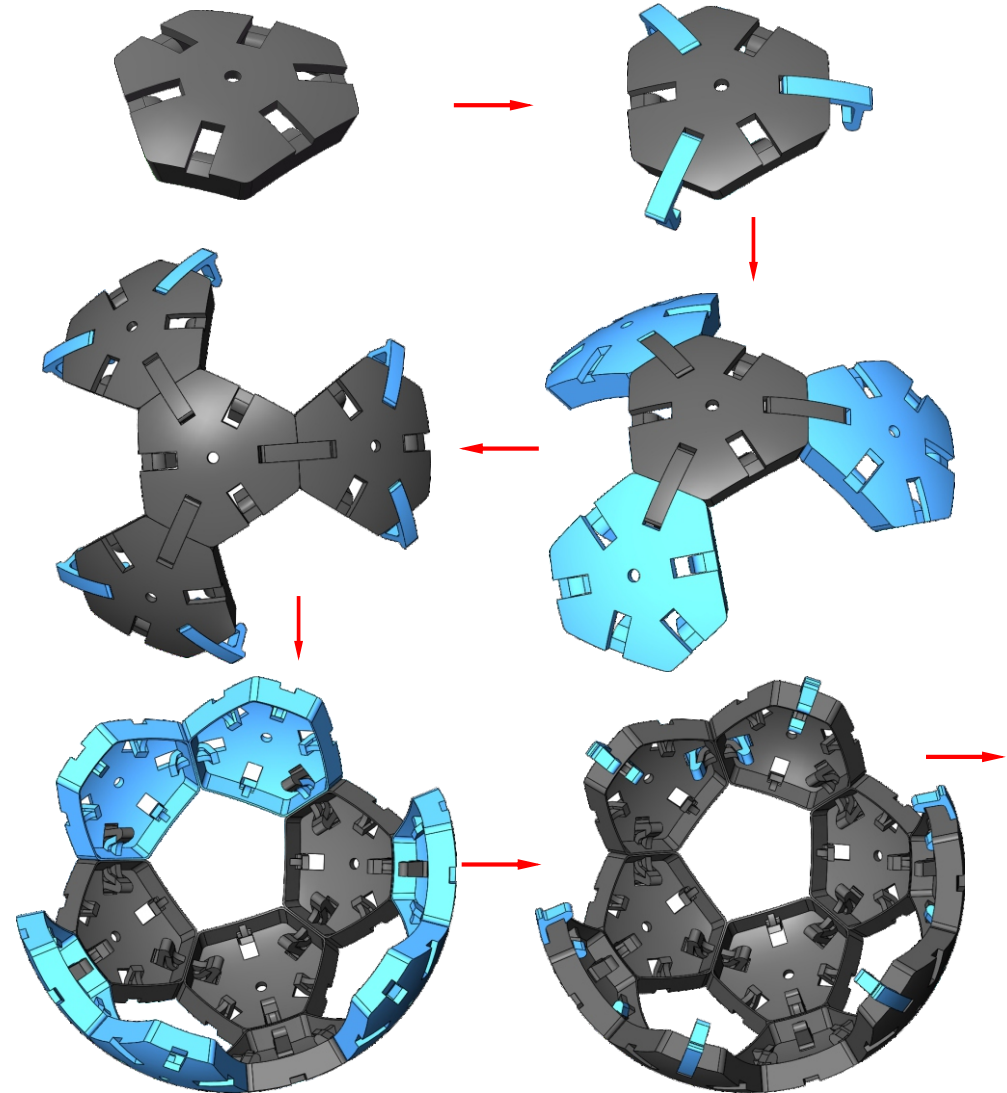
A2 12x



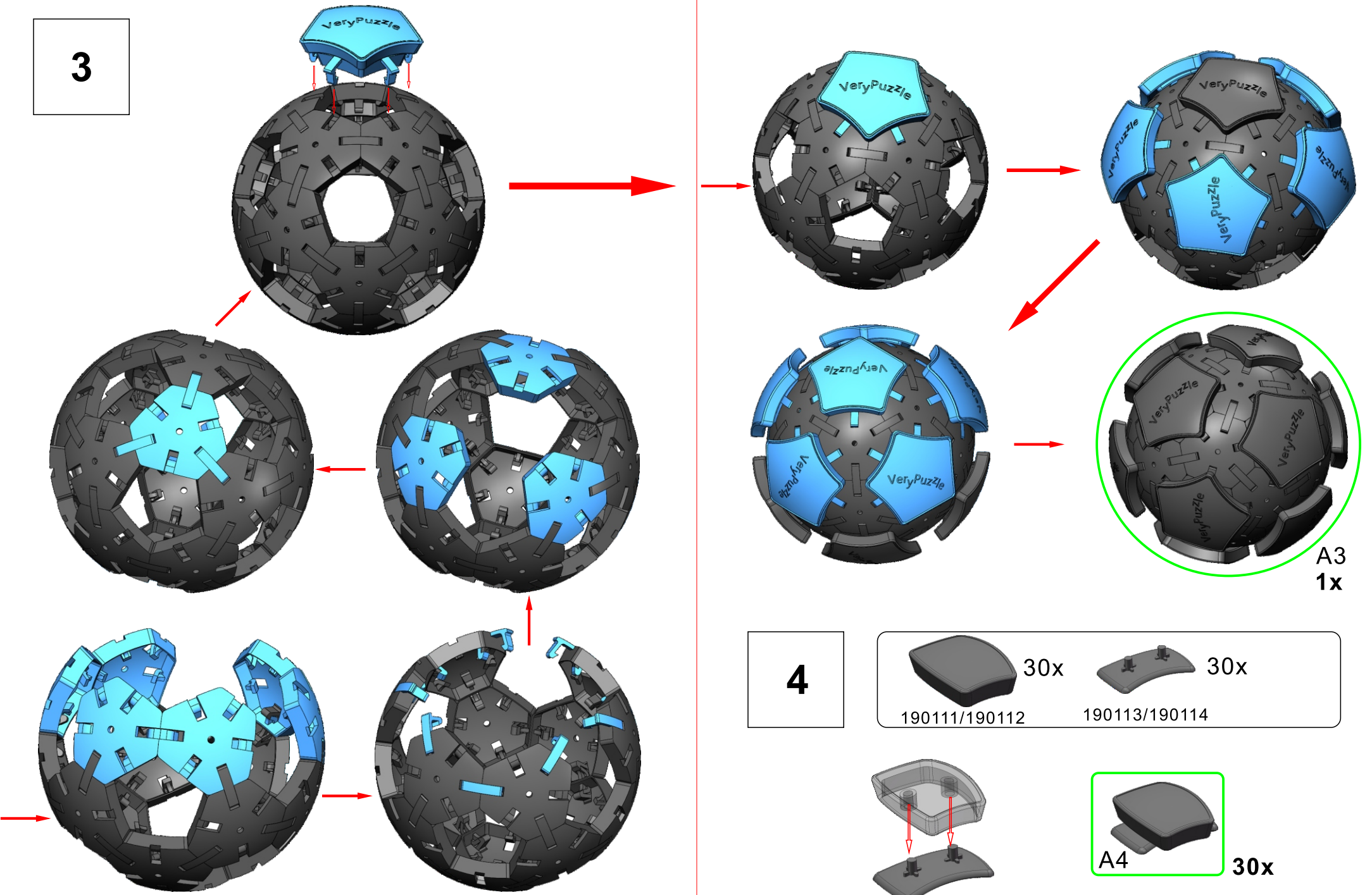
180051 20x



30x





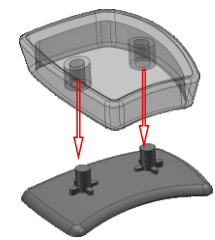
3




A3
1x

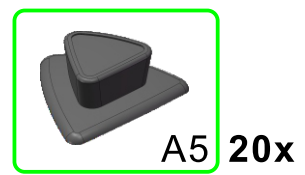
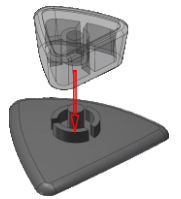
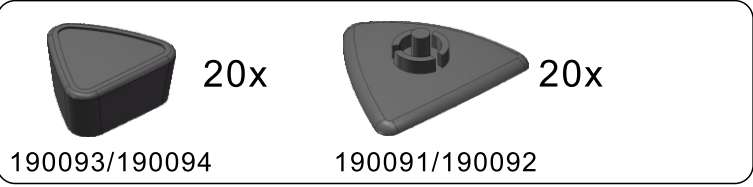
4

	30x		30x
190111/190112		190113/190114	

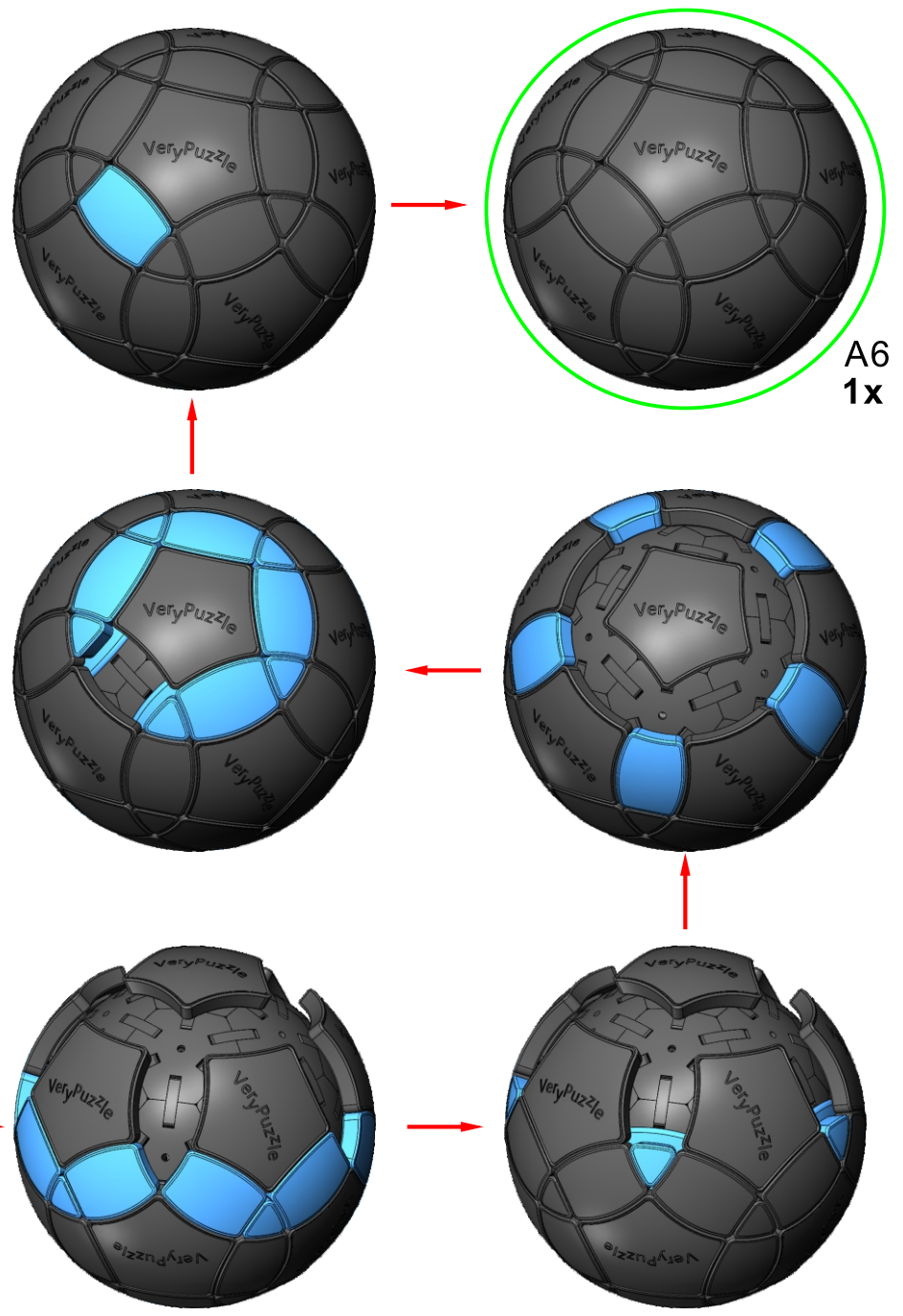
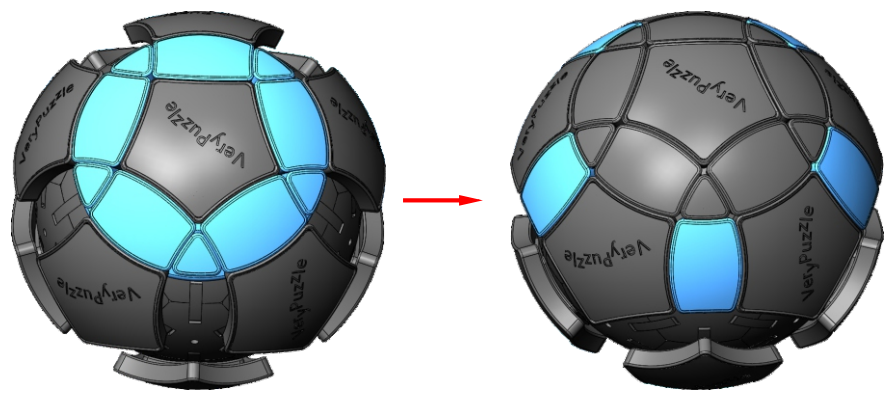
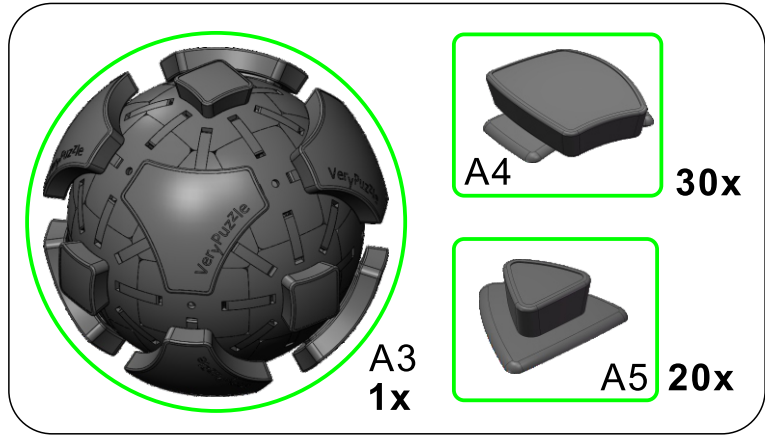


	30x
A4	30x

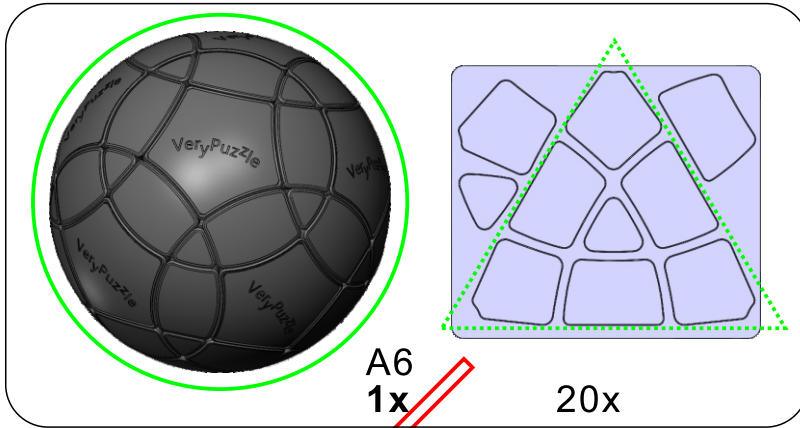
5



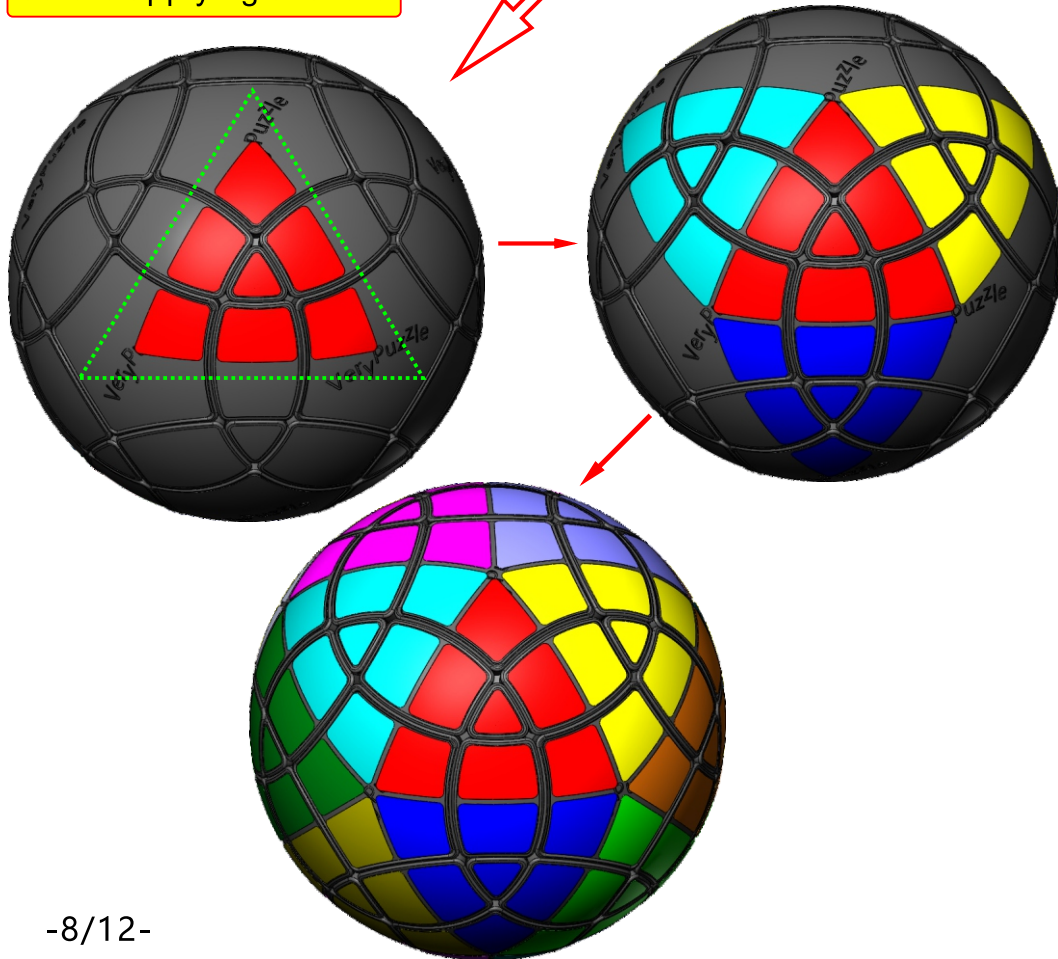
6



7

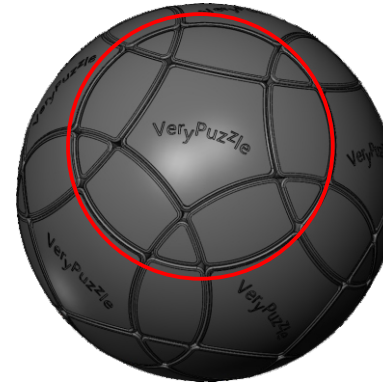


Clean part surface before applying stickers



8

Rotation Rules



5-fold symmetry
Turns $72 \cdot n$ degrees

Notations and Algorithms

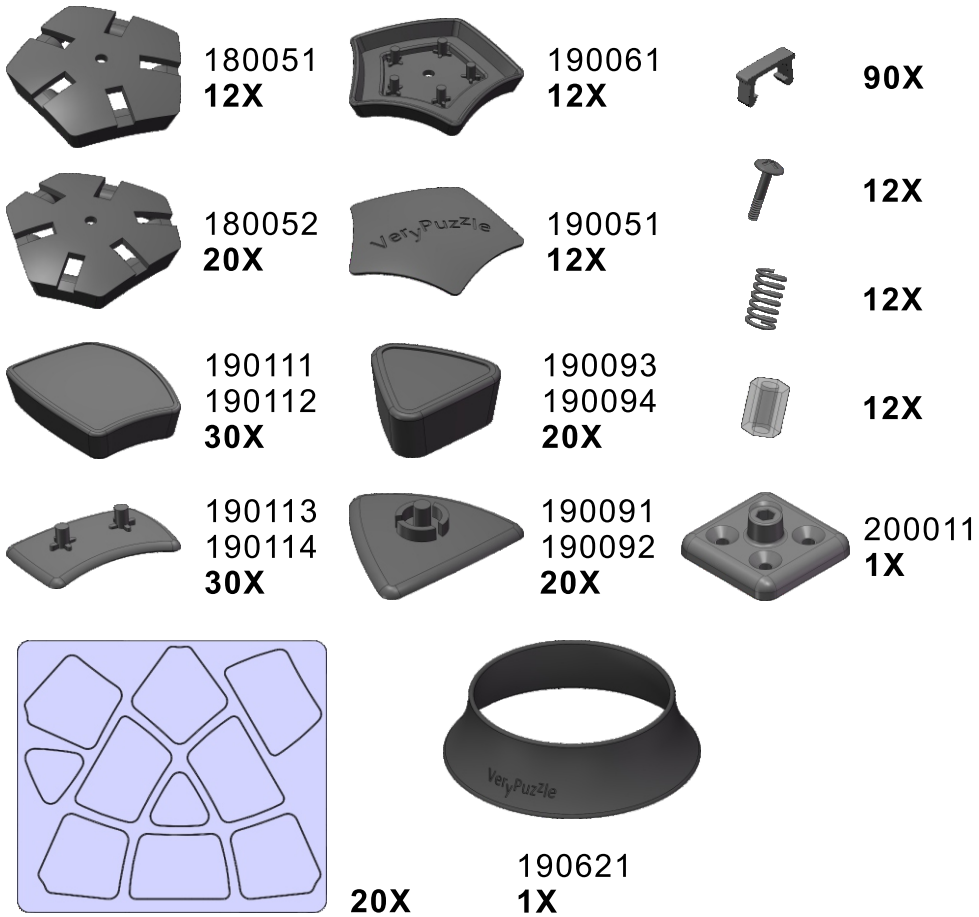


Notations and Algorithms



Product Information Card

Product Name	Megaminx Ball V1.0
Model NO.	#59
Design	VeryPuzzle Co., Ltd(HK)
Manufacturer	VeryPuzzle Co., Ltd(HK)
Year of release	2020
Maximum diameter	95 mm
Visible moving parts	62 pcs
Coloring strategy	Delauney triangulation
Number of colors	20 colors
Sticker type	uniform, matt
Sticker protection	Yes
Number of sticker pieces	140 pcs
Axis & Symmetry	D(C5)
Maximum parts shared between two axes	3 parts
In-core spring	Yes
Adjustable tension	No
Technical Name	D5
Topological Print	D49
Core specification	DI80



Customer Service

1. support@verypuzzle.com



VeryPuzzle