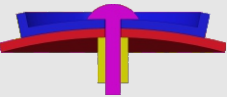
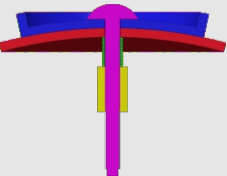
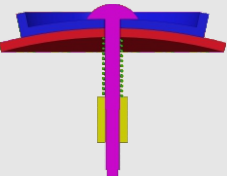
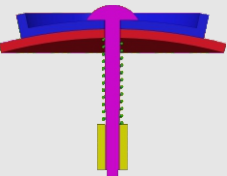


How to tighten the screws

Find your model in the table

Assembly section	Tightness	Models
	tight (no spring)	#61,#75
	tight (spring in green) (Short screw is recommended)	#72,#73,#77,#87,#88 #89
	medium (spring in green)	#94,#93,#90,#86,#85 #83,#82,#81,#80,#79 #78,#76,#71,#70,#69 #68,#67,#66,#65,#64 #63,#62,#60,#59
	loose (spring in green)	Mostly applicable to 'medium' category. Not recommended in general.

1. Tighter is usually better since the spring we provide is soft.
2. Early products had been using longer screws. You can either insert thick washer when necessary or request for short screws in the <Accessory & free parts> directory at our homepage:
<https://www.verypuzzle.com>

VeryPuzzle
2024/04

VeryPuzzle

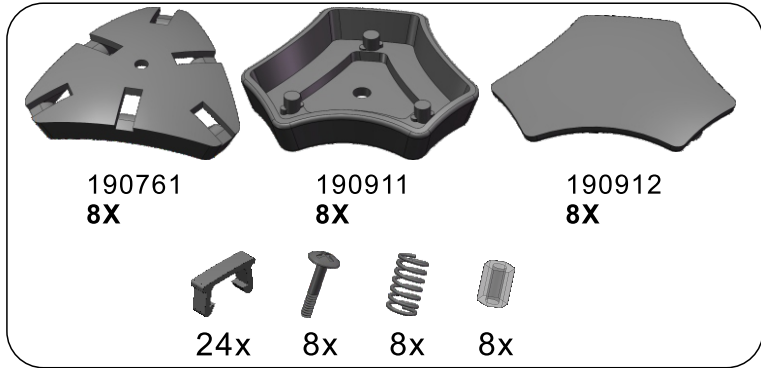


CORD V1.0
C101RD1
#77

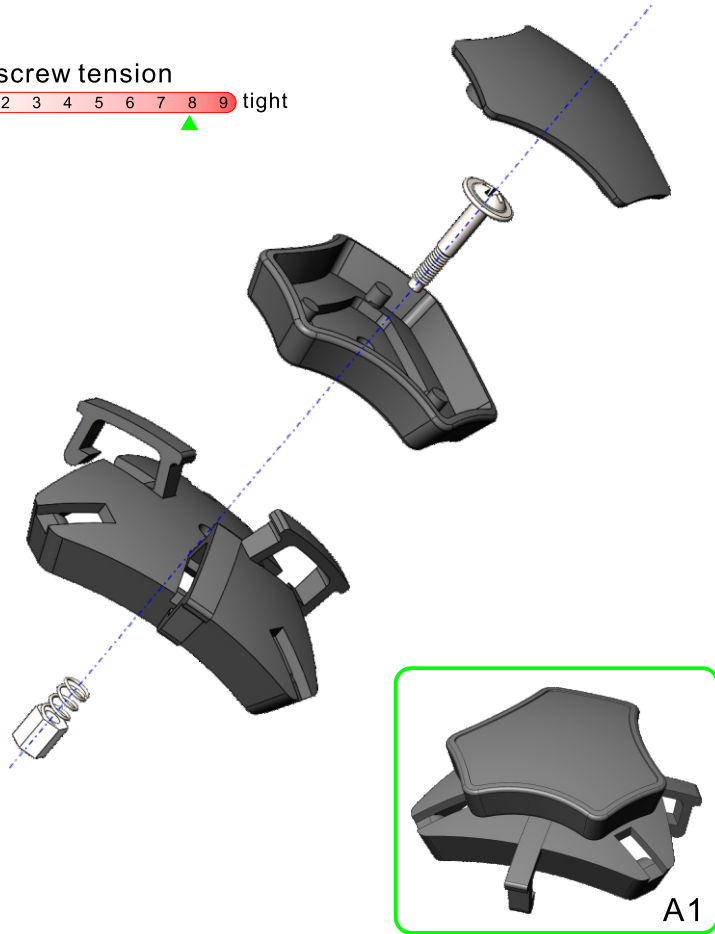
400+ parts
26 axes



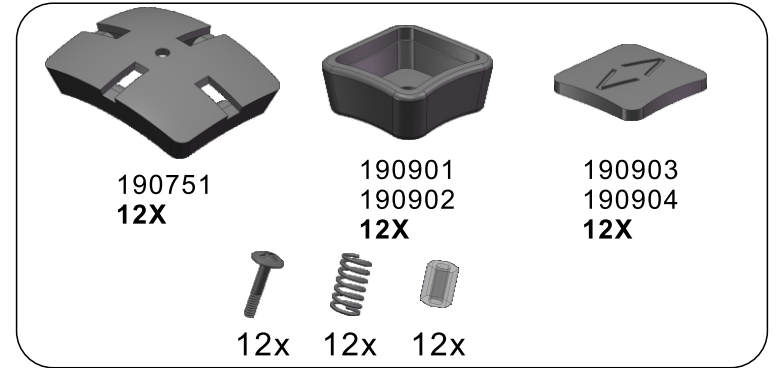
1



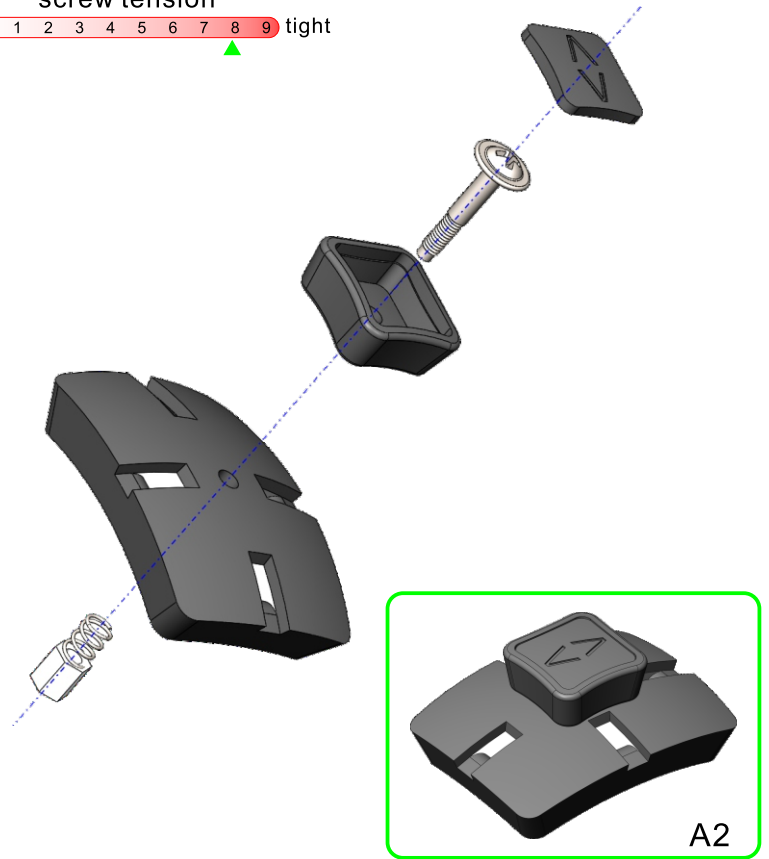
screw tension
no tension 0 1 2 3 4 5 6 7 8 9 tight



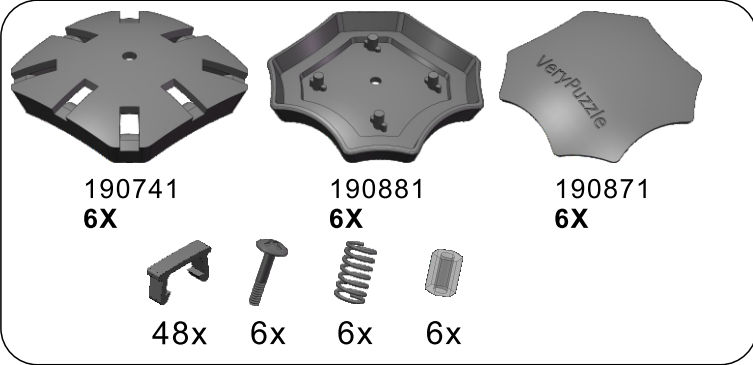
2



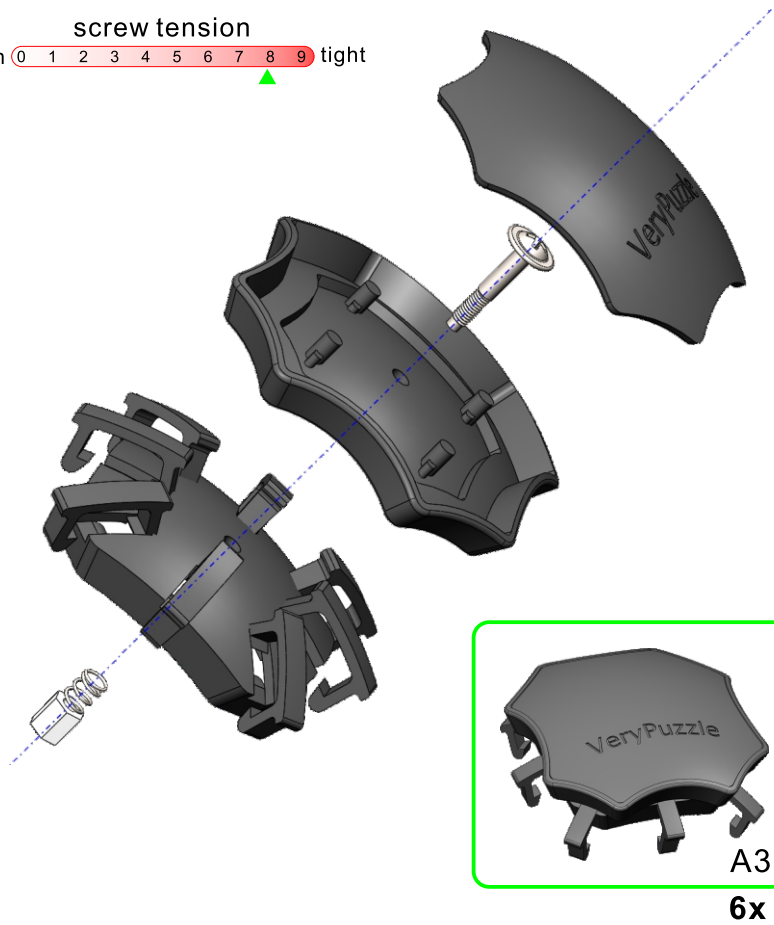
screw tension
no tension 0 1 2 3 4 5 6 7 8 9 tight



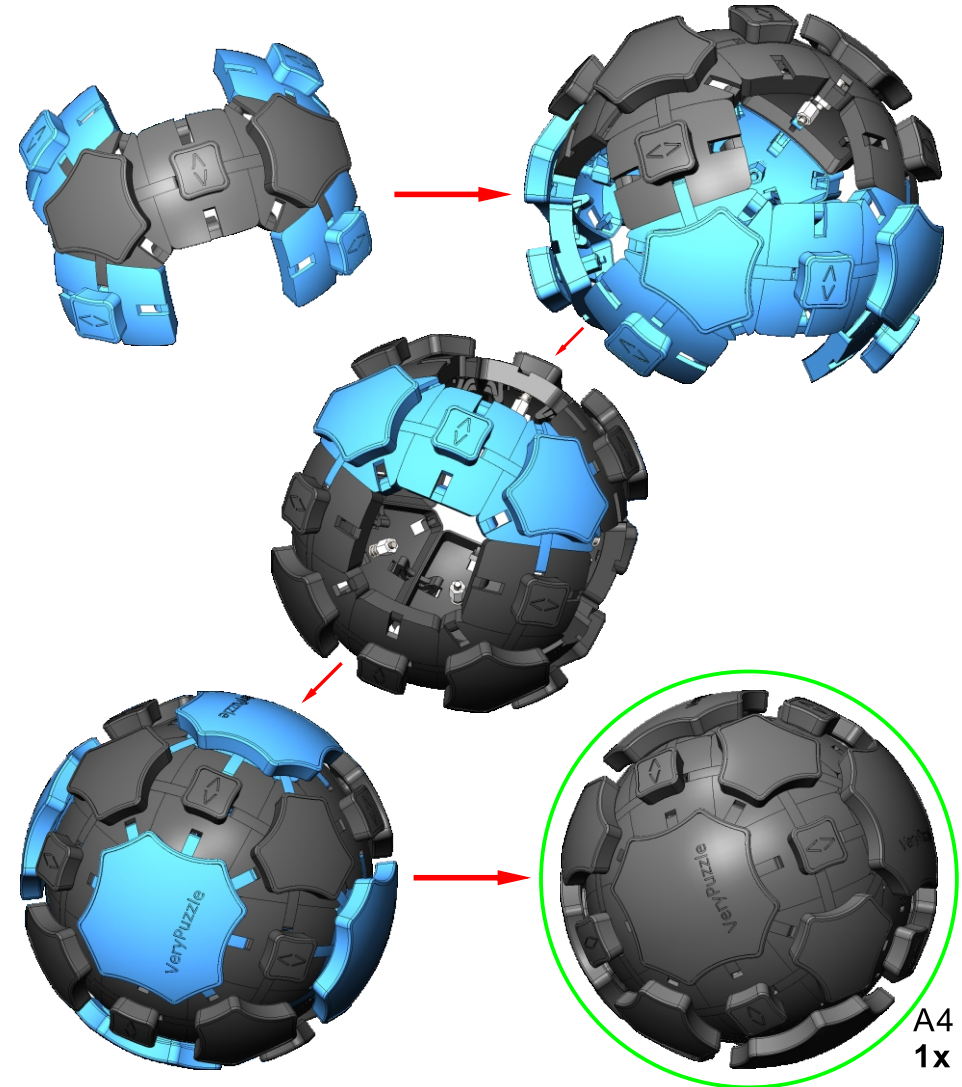
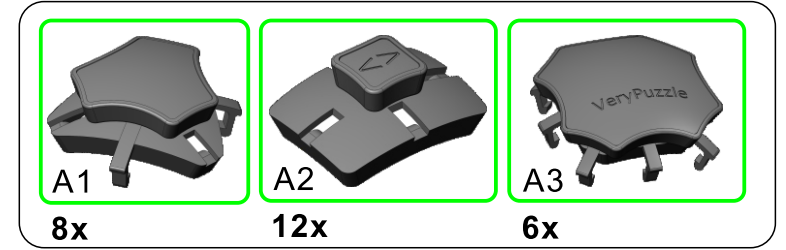
3



screw tension
 no tension 0 1 2 3 4 5 6 7 8 9 tight



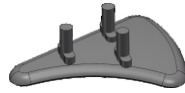
4



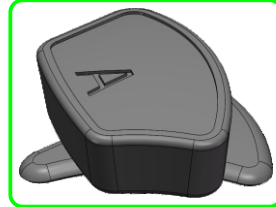
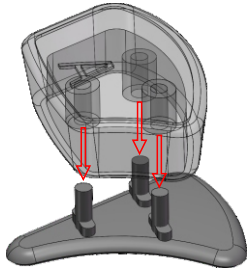
5



190891
24X



190893
24X

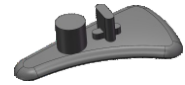


A5
24x

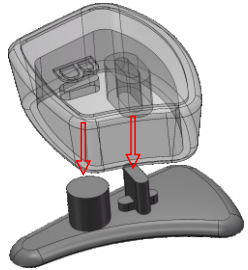
6



190892
24X



190894
24X

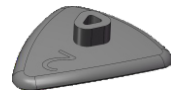


A6
24x

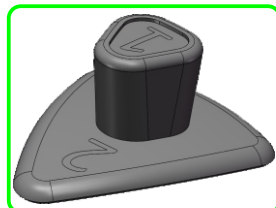
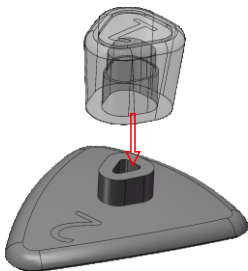
7



190923
24X



190925
24X

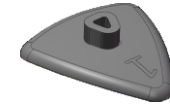


A7
24x

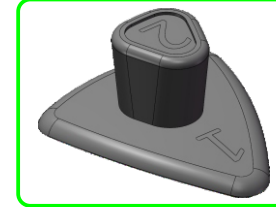
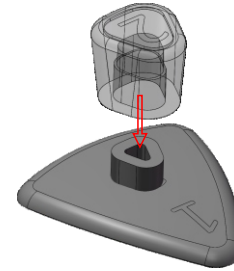
8



190924
24X



190928
24X



A8
24x

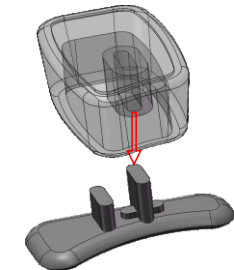
9



190921
190922
24X

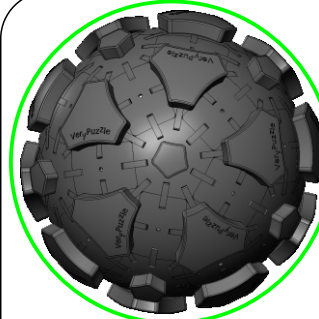


190926
190927
24X

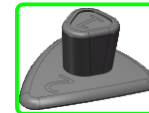


A9
24x

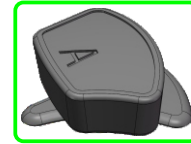
10



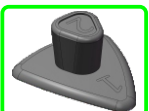
A4
1x



A7
24x



A5
24x



A8
24x

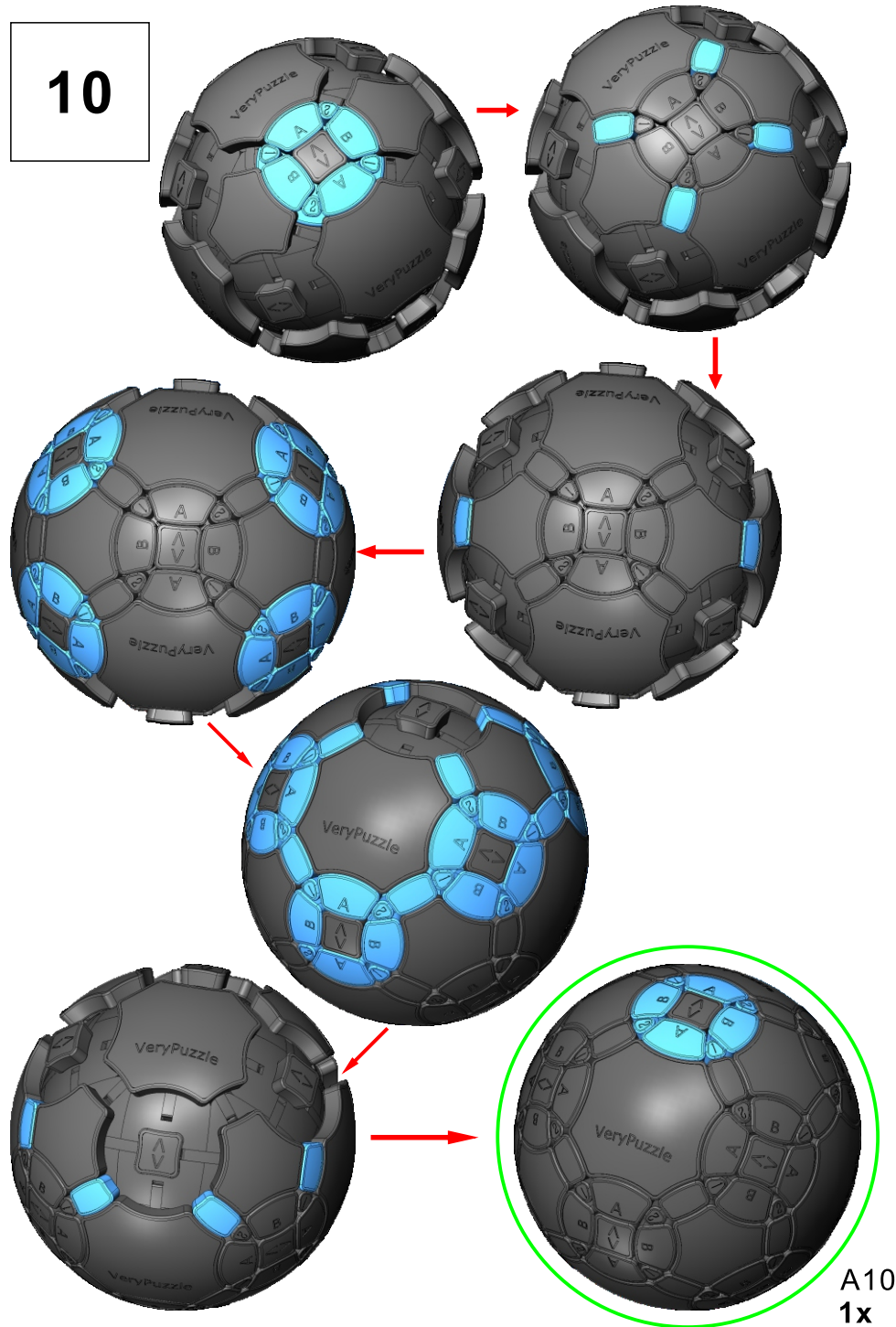


A9
24x

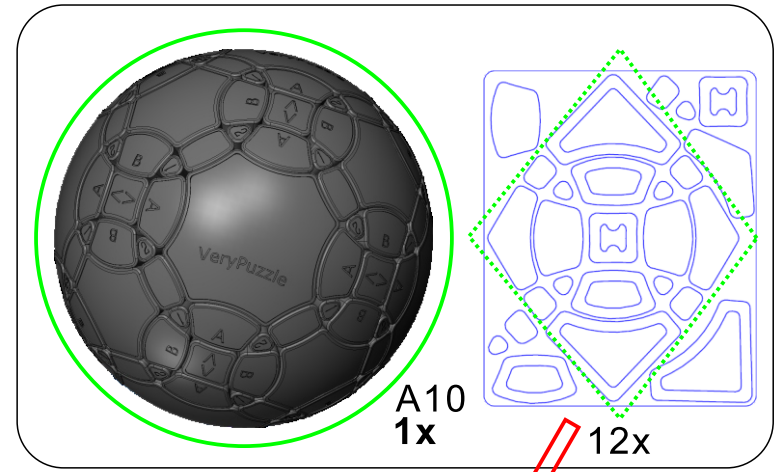


A6
24x

10



11



Clean part surface
before applying stickers



12

Rotation Rules



4-fold symmetry
Turns $60 \cdot n$ degrees



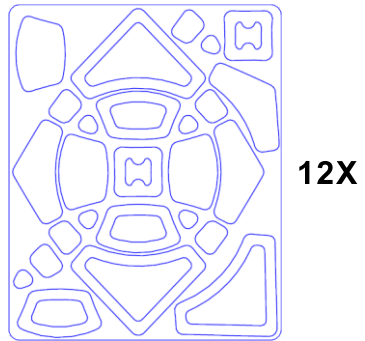
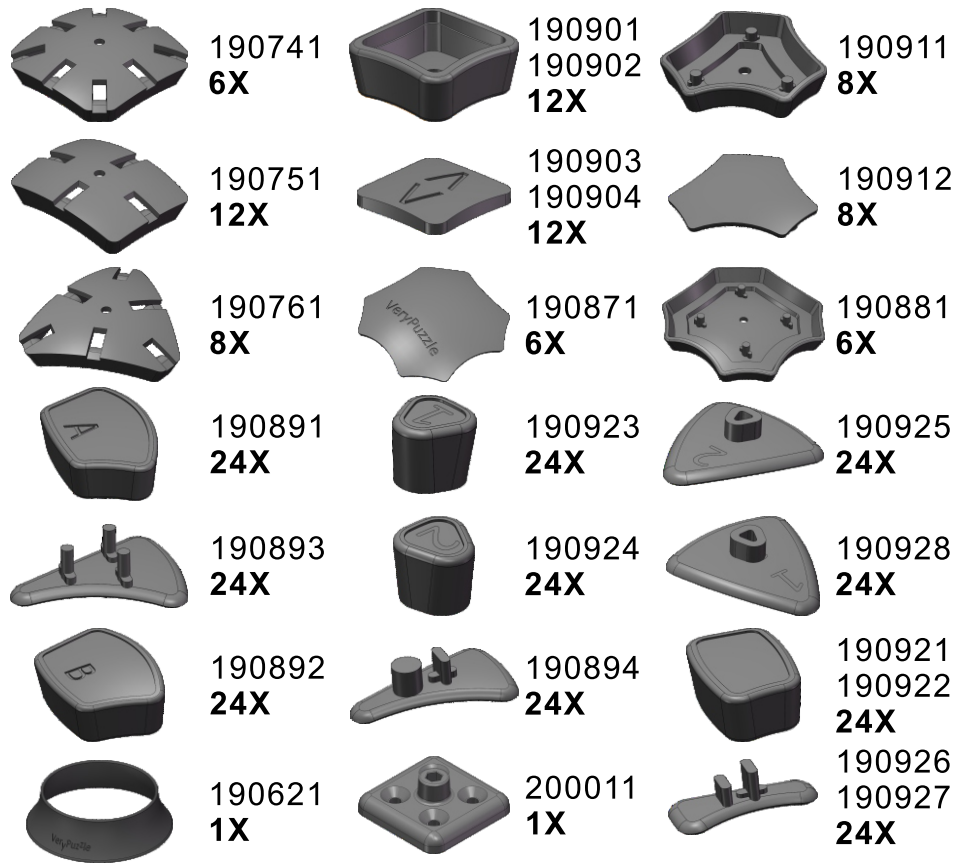
2-fold symmetry
Turns $72 \cdot n$ degrees



3-fold symmetry
Turns $60 \cdot n$ degrees

Product Information Card

Product Name	CORD V1.0
Model NO.	#77
Design	VeryPuzzle Co., Ltd(HK)
Manufacturer	VeryPuzzle Co., Ltd(HK)
Year of release	2020
Maximum diameter	95 mm
Visible moving parts	146 pcs
Coloring strategy	simplified Voronoi
Number of colors	12 colors
Sticker type	textured
Sticker protection	Yes
Number of sticker pieces	204 pcs
Axis & Symmetry	C(C4)+O(C3)+RD(C2)
Maximum parts shared between two axes	3 parts
In-core spring	Yes
Adjustable tension	No
Technical Name	C1O1RD1
Topological Print	C37.5O28RD22
Core specification	CORD80



Customer Service

1. support@verypuzzle.com



VeryPuzzle