
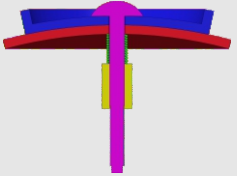
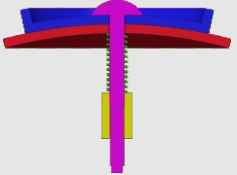
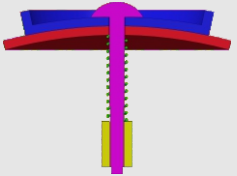


How to tighten the screws

Find your model in the table

Assembly section	Tightness	Models
	tight (no spring)	#61,#75
	tight (spring in green) (Short screw is recommended)	#72,#73,#77,#87,#88 #89
	medium (spring in green)	#94,#93,#90,#86,#85 #83,#82,#81,#80,#79 #78,#76,#71,#70,#69 #68,#67,#66,#65,#64 #63,#62,#60,#59
	loose (spring in green)	Mostly applicable to 'medium' category. Not recommended in general.

1. Tighter is usually better since the spring we provide is soft.
2. Early products had been using longer screws. You can either insert thick washer when necessary or request for short screws in the <Accessory & free parts> directory at our homepage:
<https://www.verypuzzle.com>

VeryPuzzle
2024/04

VeryPuzzle

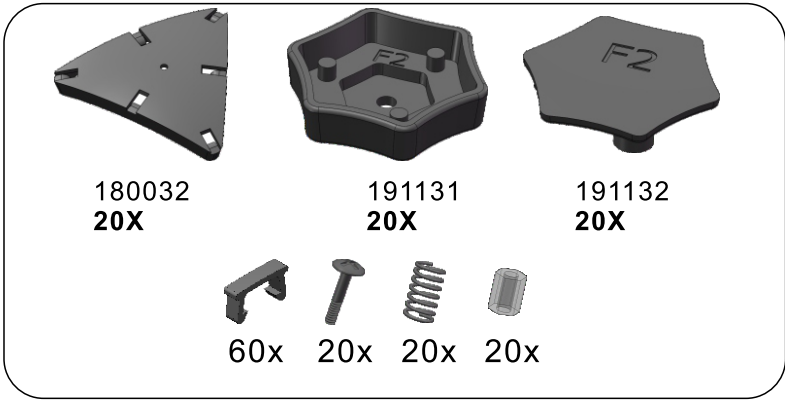


IRT V1.0 F2
IRT1-M3-F2
#83

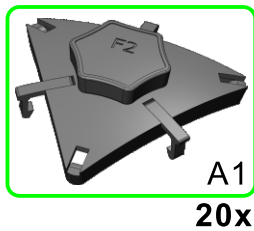
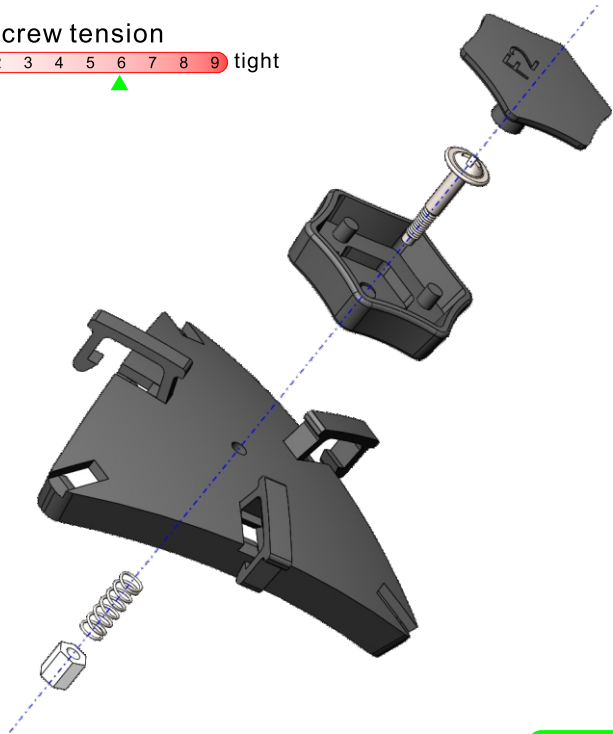
1000+ parts
50 axes



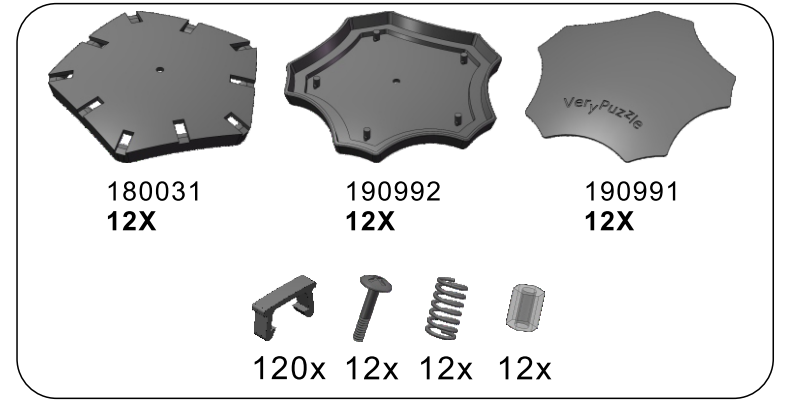
1



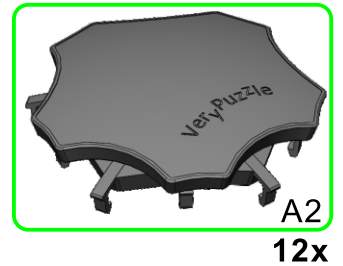
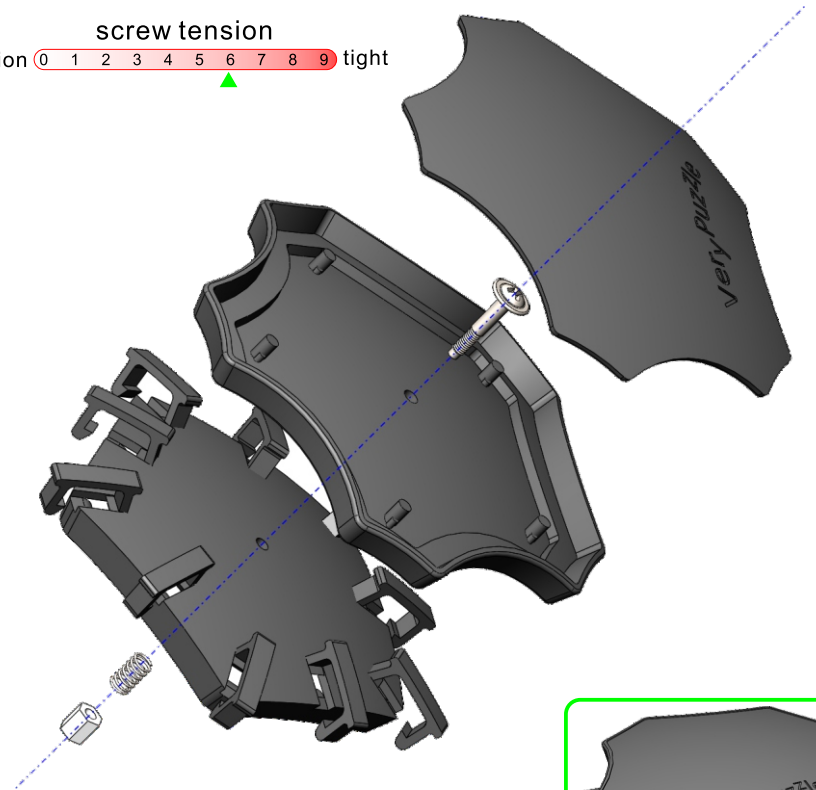
screw tension
no tension 0 1 2 3 4 5 6 7 8 9 tight



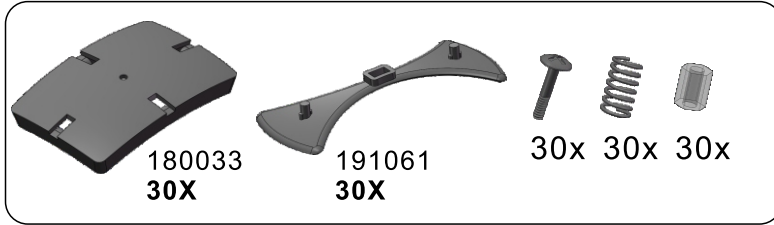
2



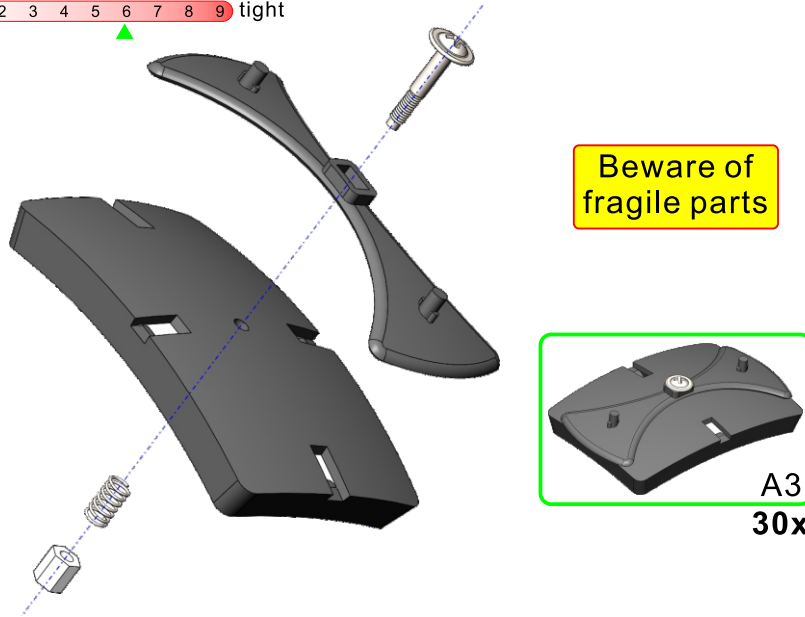
screw tension
no tension 0 1 2 3 4 5 6 7 8 9 tight



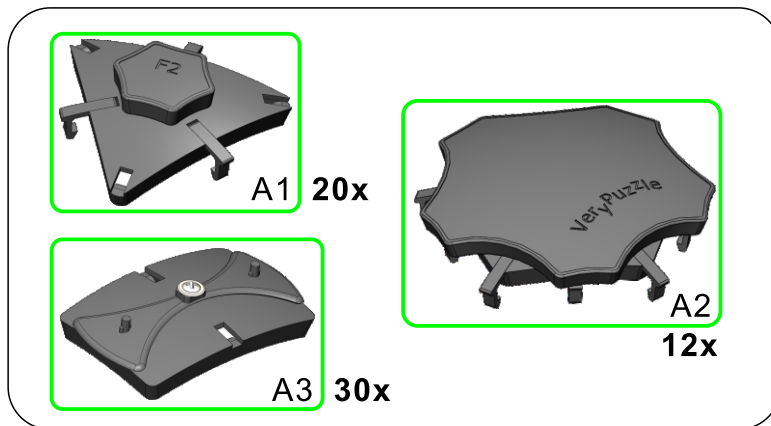
3



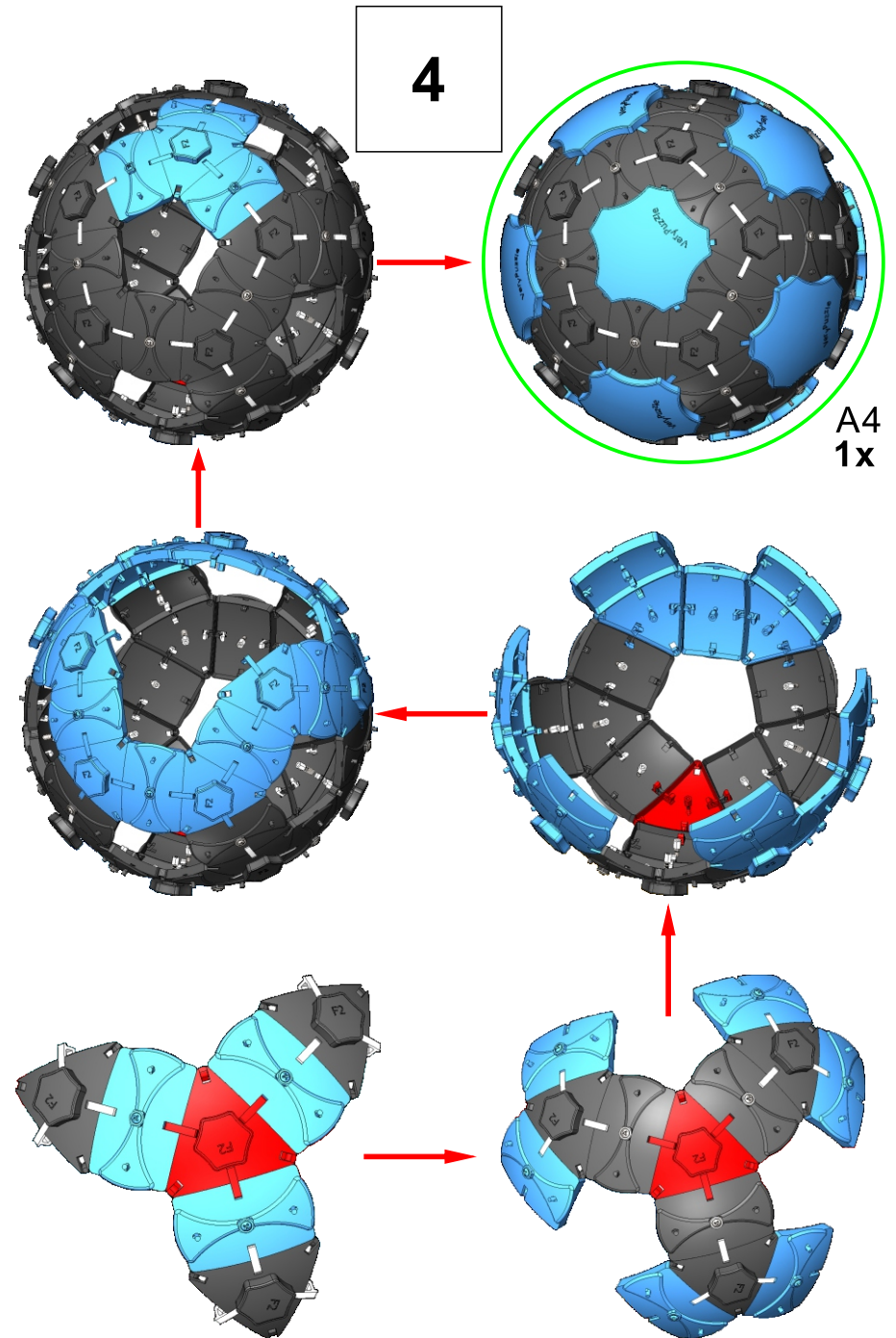
screw tension
no tension 0 1 2 3 4 5 6 7 8 9 tight



4



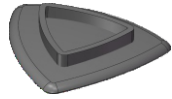
4



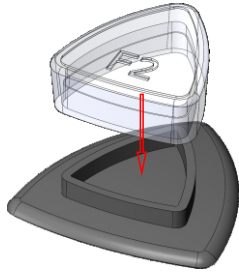
5



191121
120X



191123
120X



A5
120x

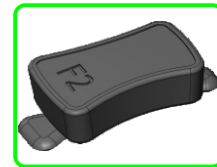
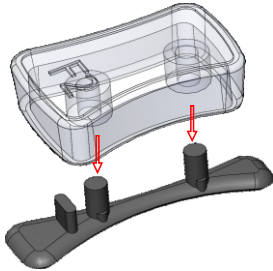
6



191122
120X

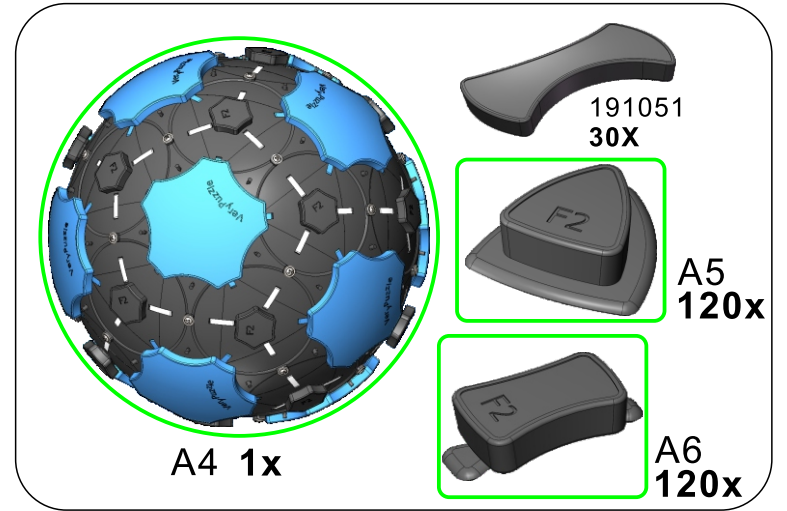


191124
120X



A6
120x

7



191051
30X

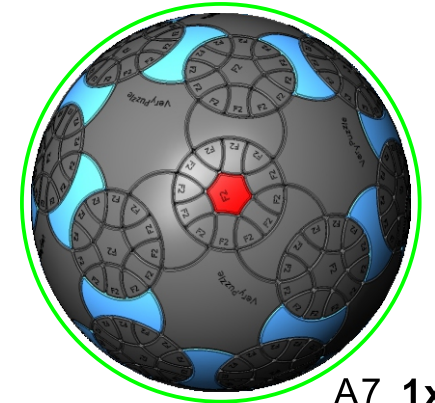
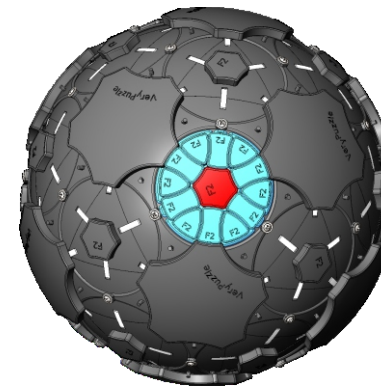


A5
120x



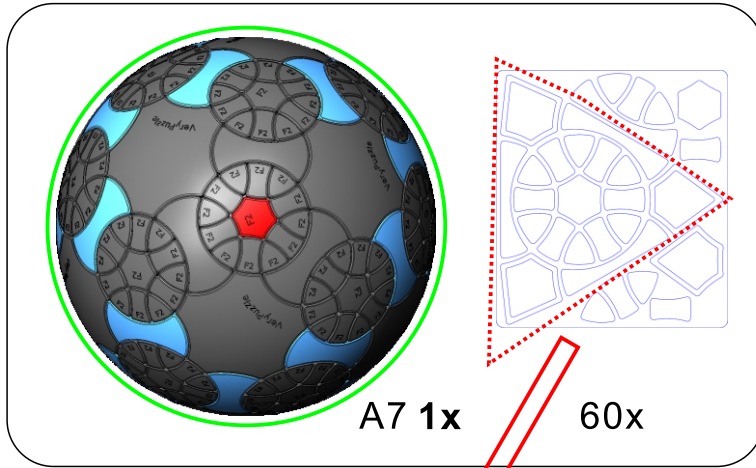
A6
120x

A4 1x

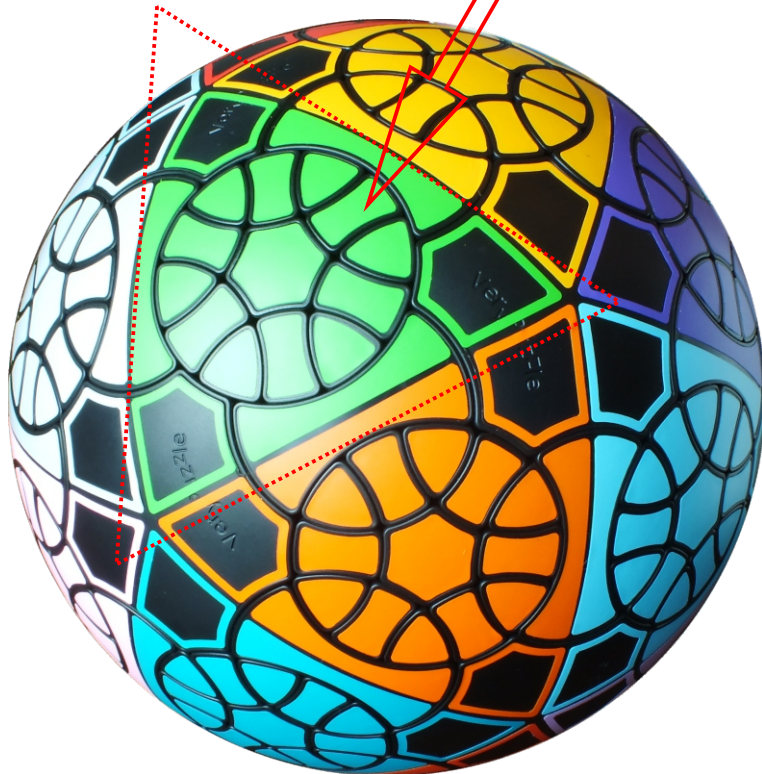


A7 1x

8



Clean part surface before applying stickers



9

Rotation Rules

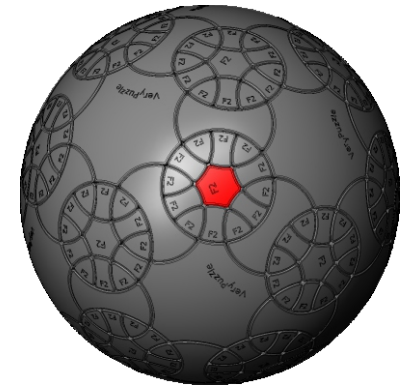
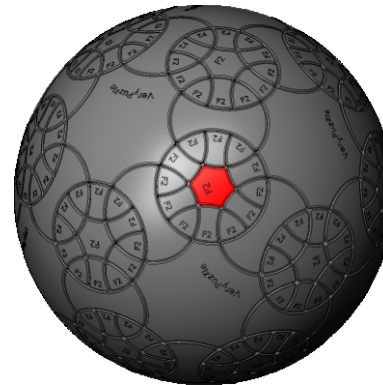


2-fold symmetry
Turns $180 \cdot n$ degrees

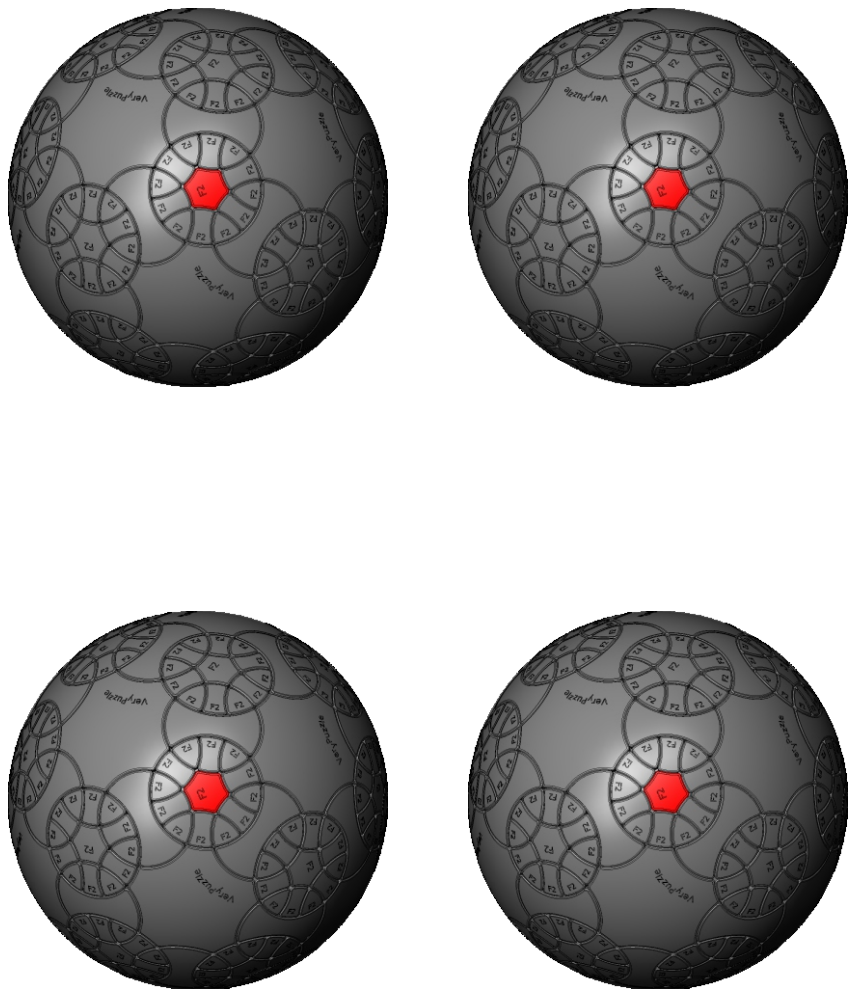


6-fold symmetry
Turns $60 \cdot n$ degrees

Notations and Algorithms

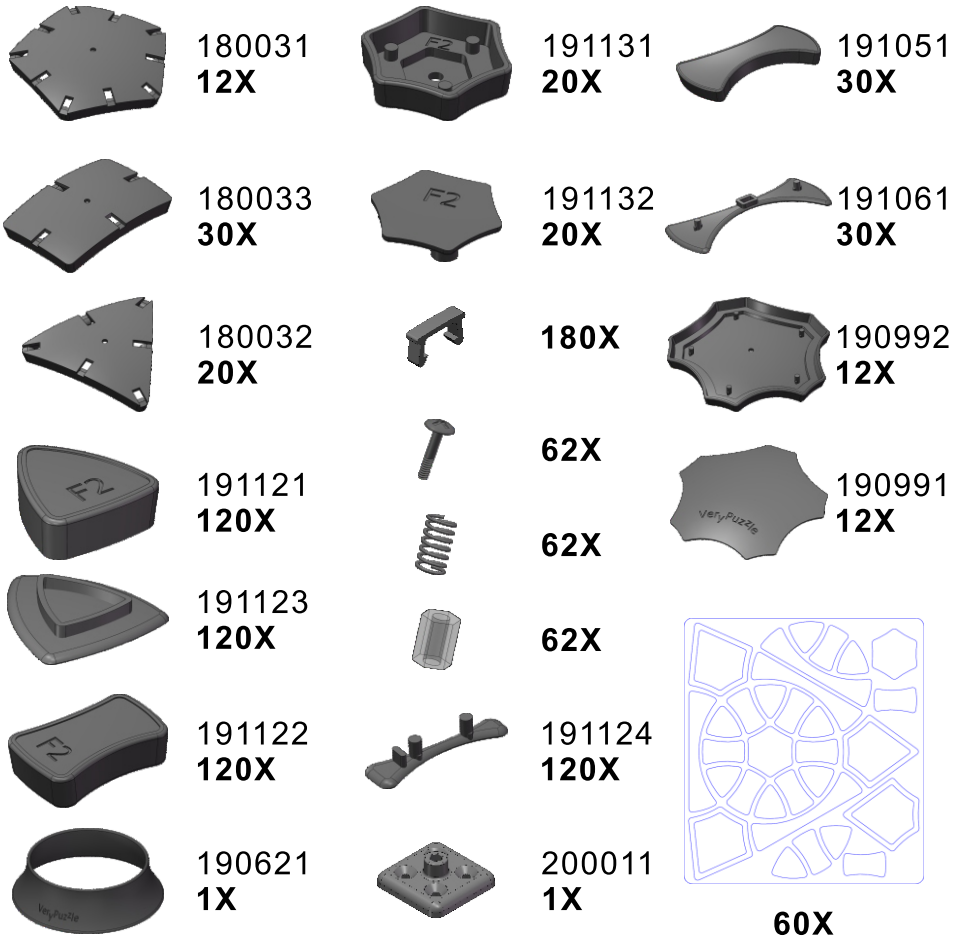


Notations and Algorithms



Product Information Card

Product Name	IRT V1.0 F2
Model NO.	#83
Design	VeryPuzzle Co., Ltd(HK)
Manufacturer	VeryPuzzle Co., Ltd(HK)
Year of release	2020
Maximum diameter	195 mm
Visible moving parts	302 pcs
Coloring strategy	simplified Voronoi
Number of colors	20 colors
Sticker type	uniform matte
Sticker protection	Yes
Number of sticker pieces	380 pcs
Axis & Symmetry	$I(C6)+RT(C2)$
Maximum parts shared between two axes	3 parts
In-core spring	Yes
Adjustable tension	No
Technical Name	I1RT1-M3-F2
Topological Print	I17RT15
Core specification	DIRT180



Customer Service

1. support@verypuzzle.com



VeryPuzzle