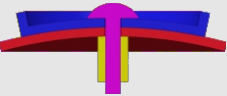
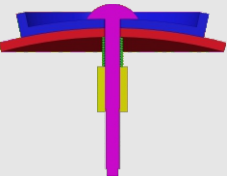
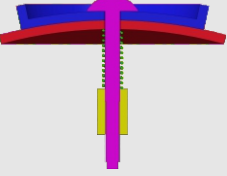
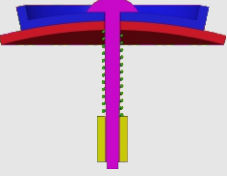


## How to tighten the screws

Find your model in the table

| Assembly section   | Tightness  | Models  |
|--|--|---|
|   | tight<br>(no spring)   | #61,#75   |
|   | tight<br>(spring in green)<br><br>(Short screw is recommended) | #72,#73,#77,#87,#88<br>#89  |
|   | medium<br>(spring in green)                                    | #94,#93,#90,#86,#85<br>#83,#82,#81,#80,#79<br>#78,#76,#71,#70,#69<br>#68,#67,#66,#65,#64<br>#63,#62,#60,#59 |
|  | loose<br>(spring in green)                                     | Mostly applicable to<br>'medium' category.<br><br>Not recommended in<br>general.                            |

1. Tighter is usually better since the spring we provide is soft.
2. Early products had been using longer screws. You can either insert thick washer when necessary or request for short screws in the <Accessory & free parts> directory at our homepage:  
<https://www.verypuzzle.com>

VeryPuzzle  
2024/04

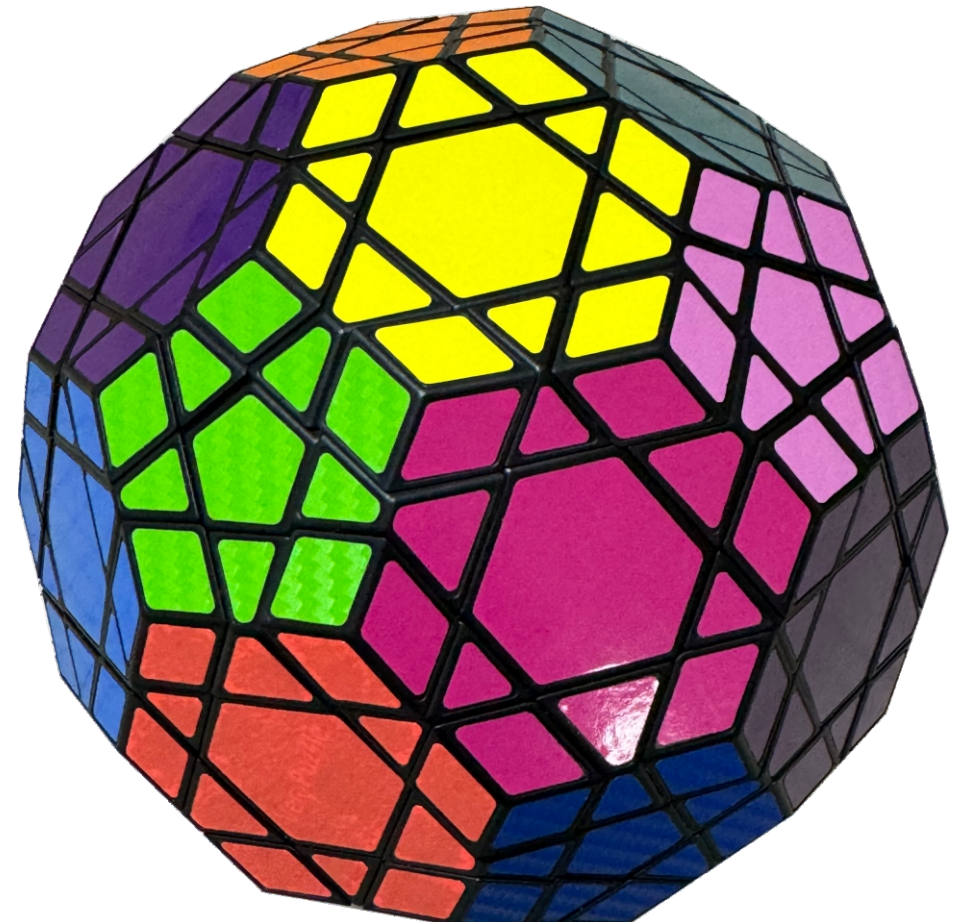
# VeryPuzzle



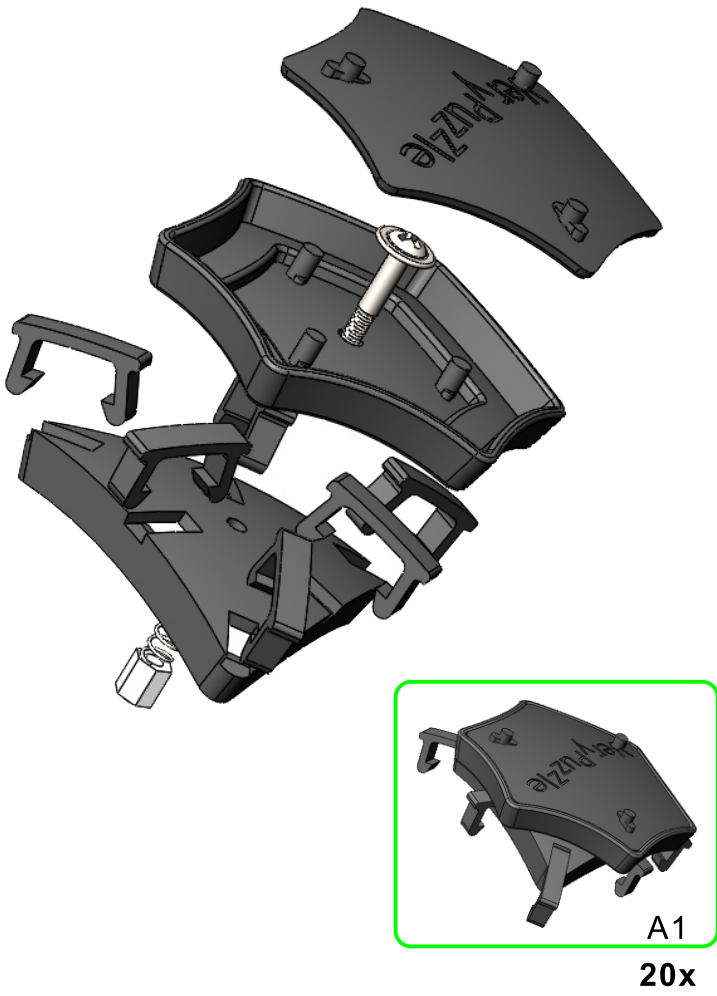
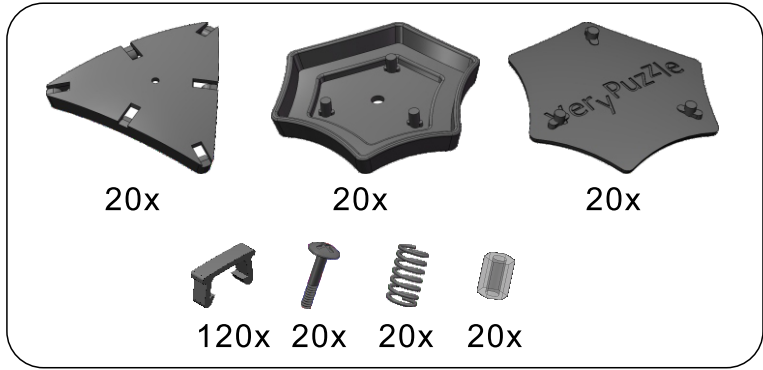
Product Page

**Classical Tuttminx V2**  
**D113-M5-A1**  
**#90**

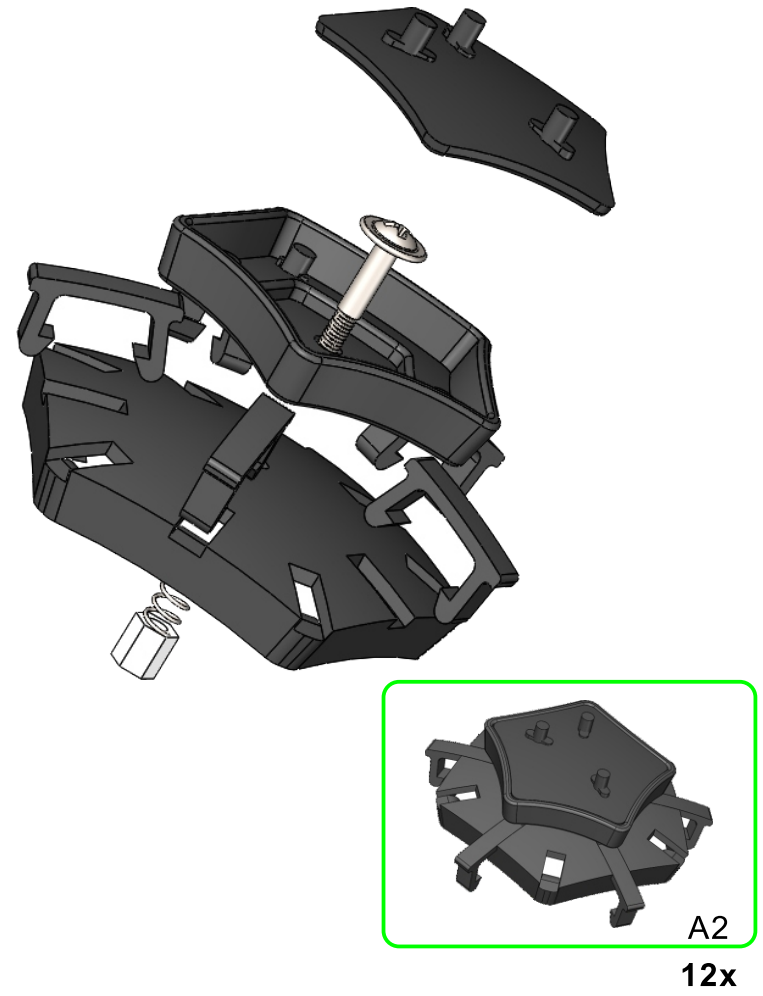
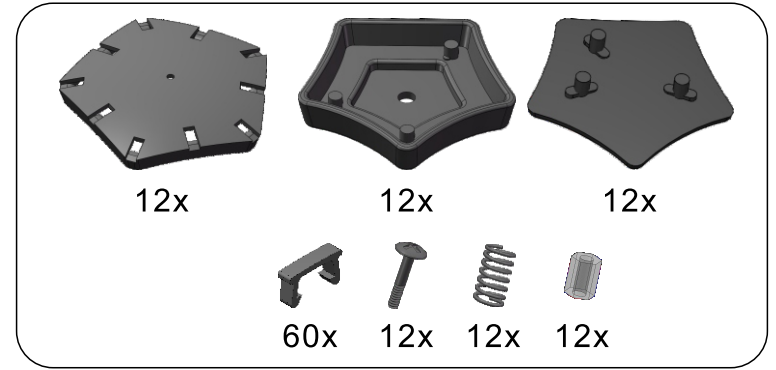
800+ parts  
32 axes



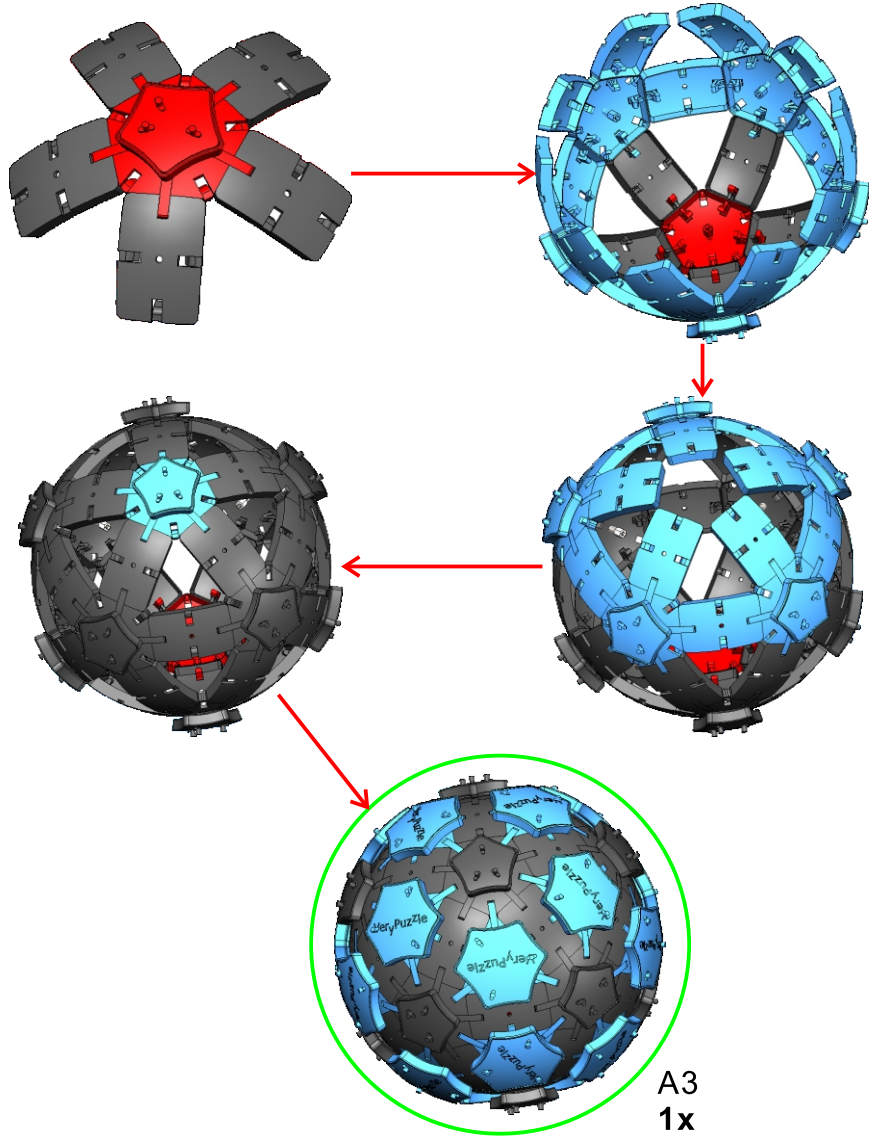
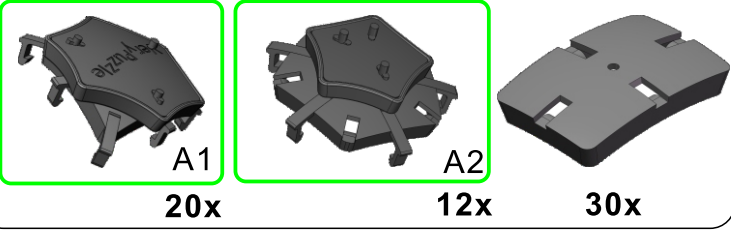
1



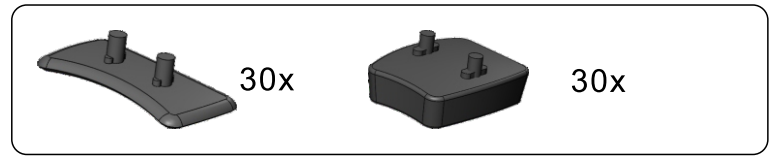
2



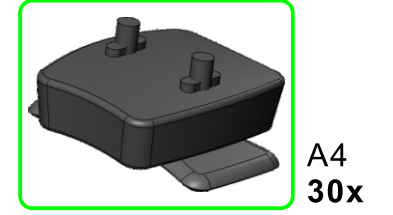
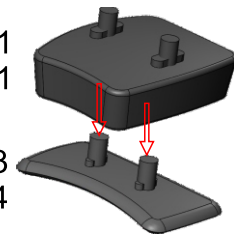
3



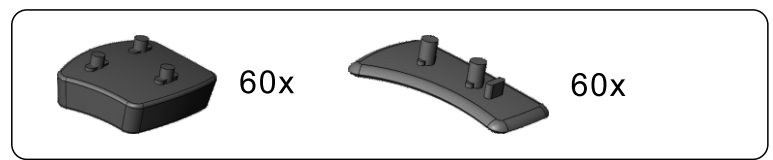
4



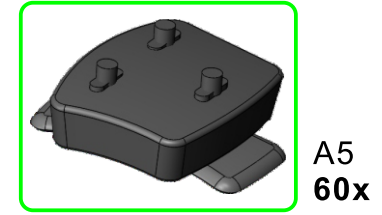
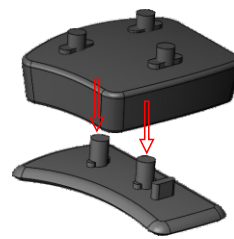
190421A1  
190422A1



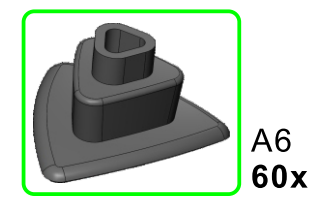
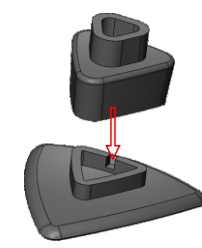
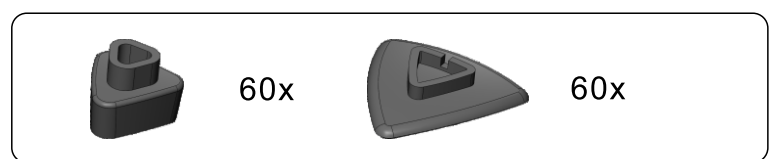
5



190412

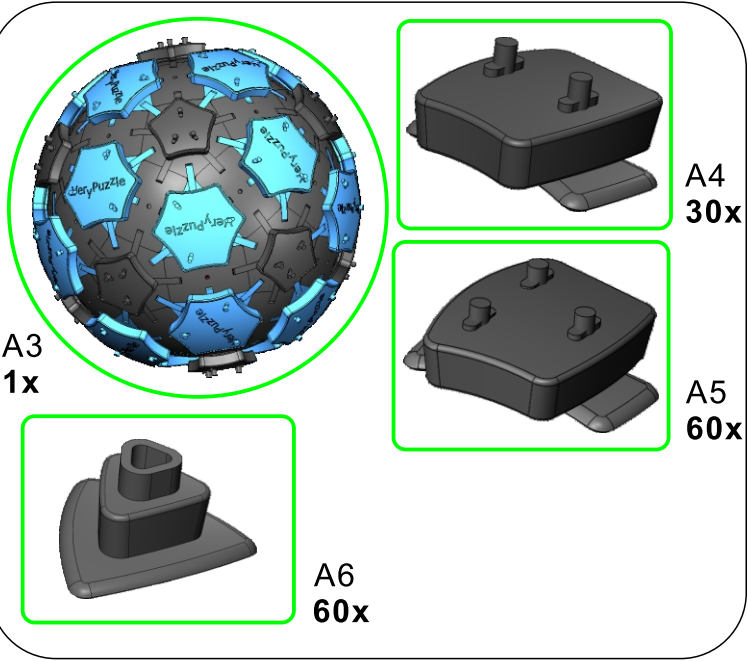


6

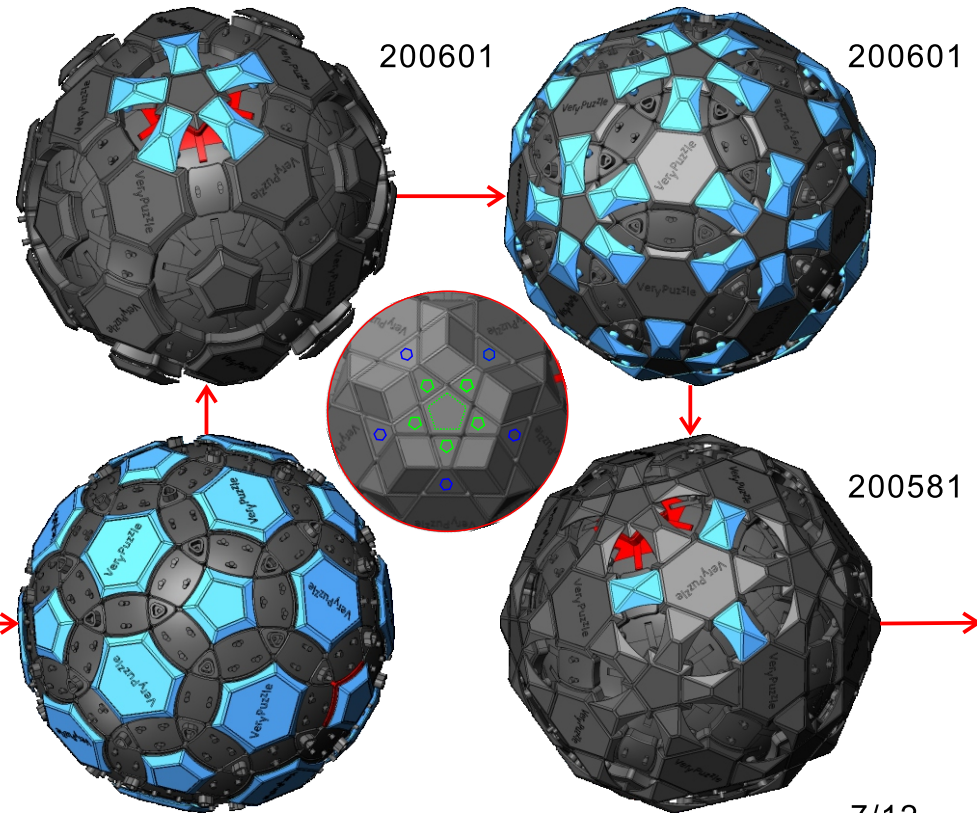
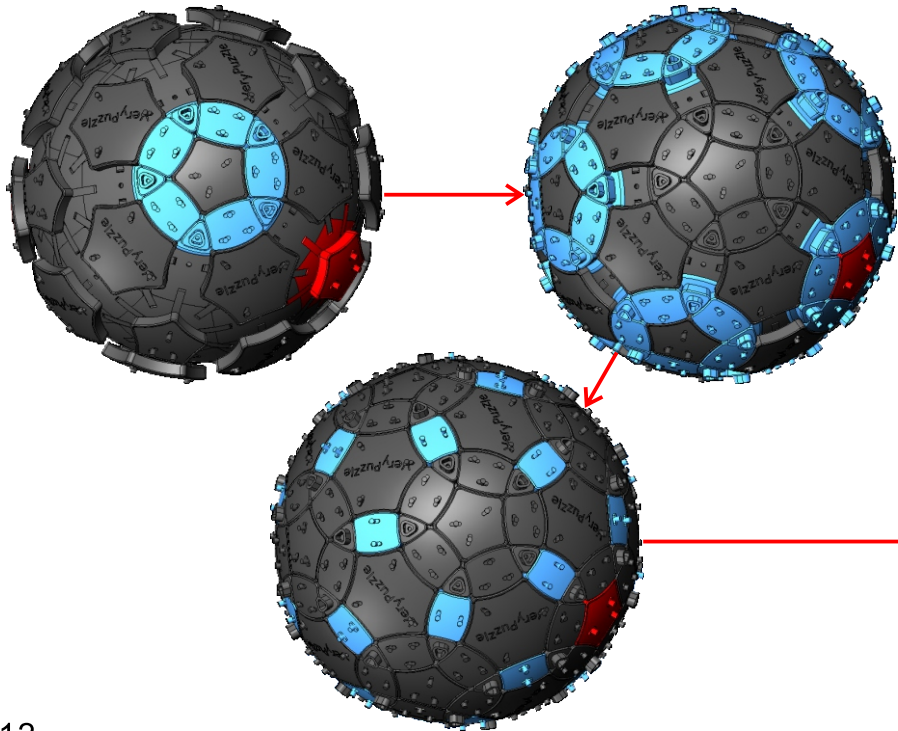
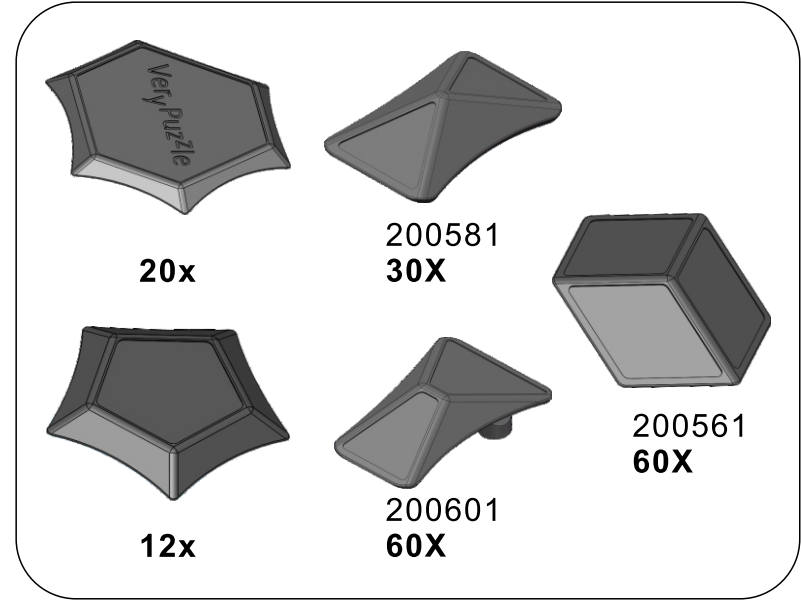




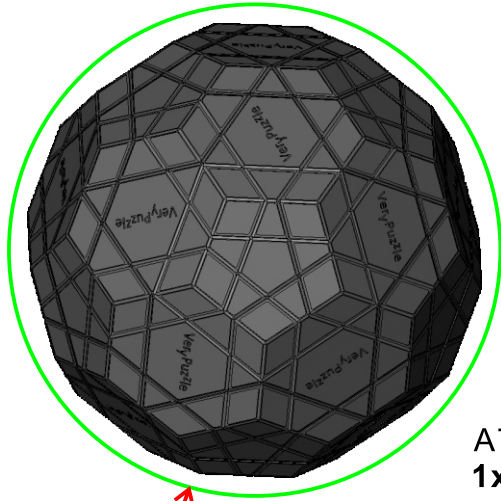
10



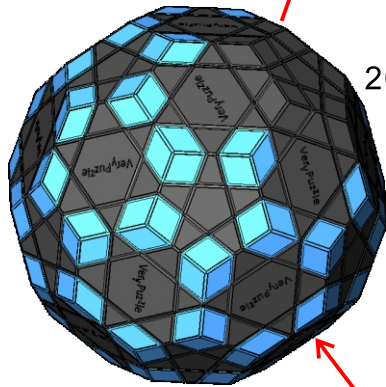
10



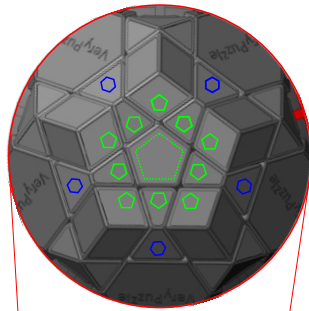
10



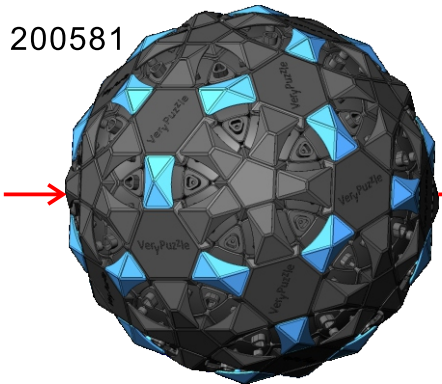
A7  
1x



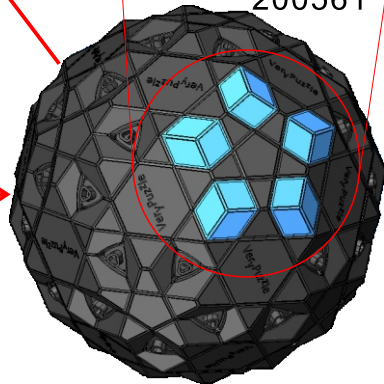
200561



200561



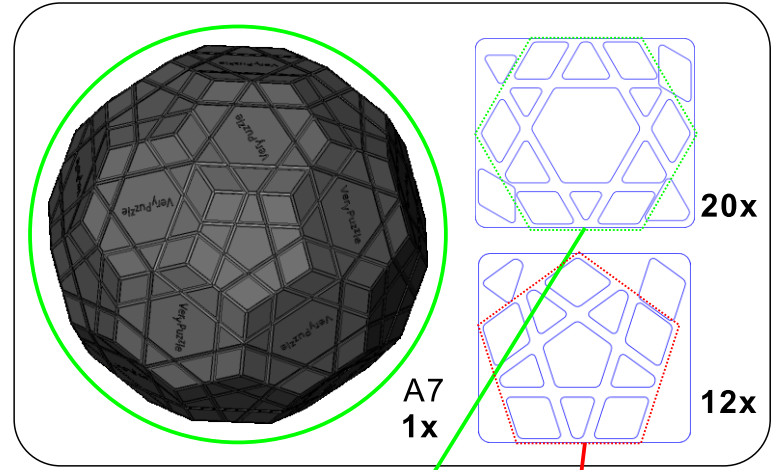
200581



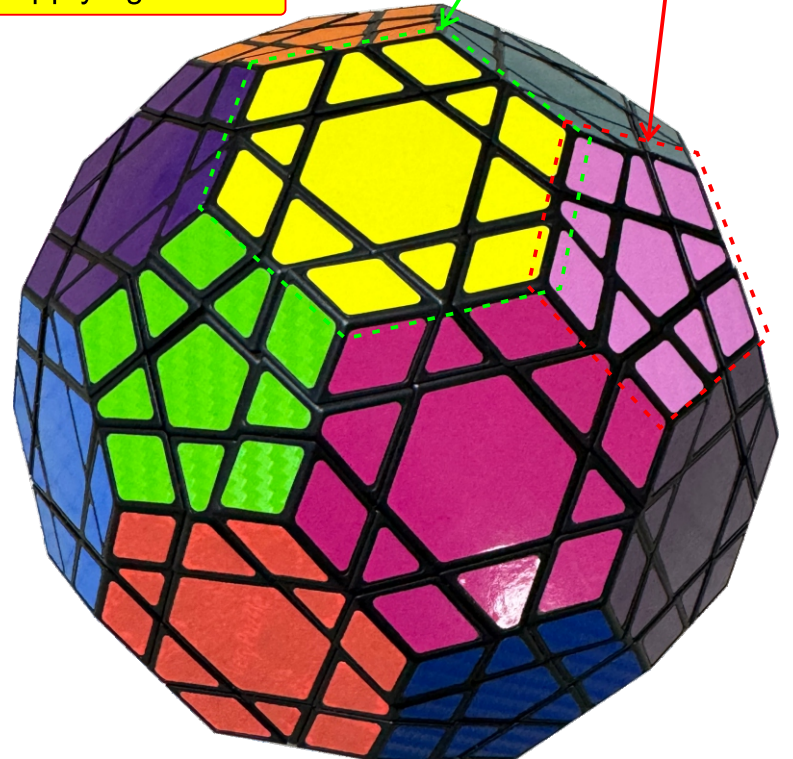
11



Download  
Sticker Template



Clean part surface  
before applying stickers





12

## Rotation Rules

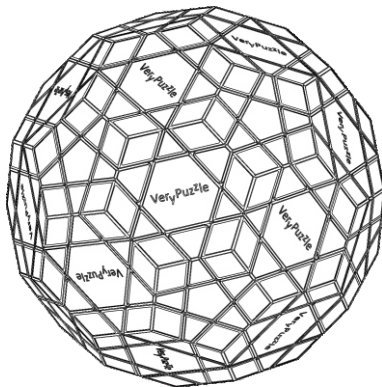
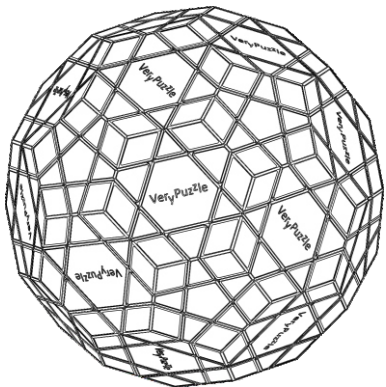


3-fold symmetry  
Turns  $120^\circ \cdot n$  degrees



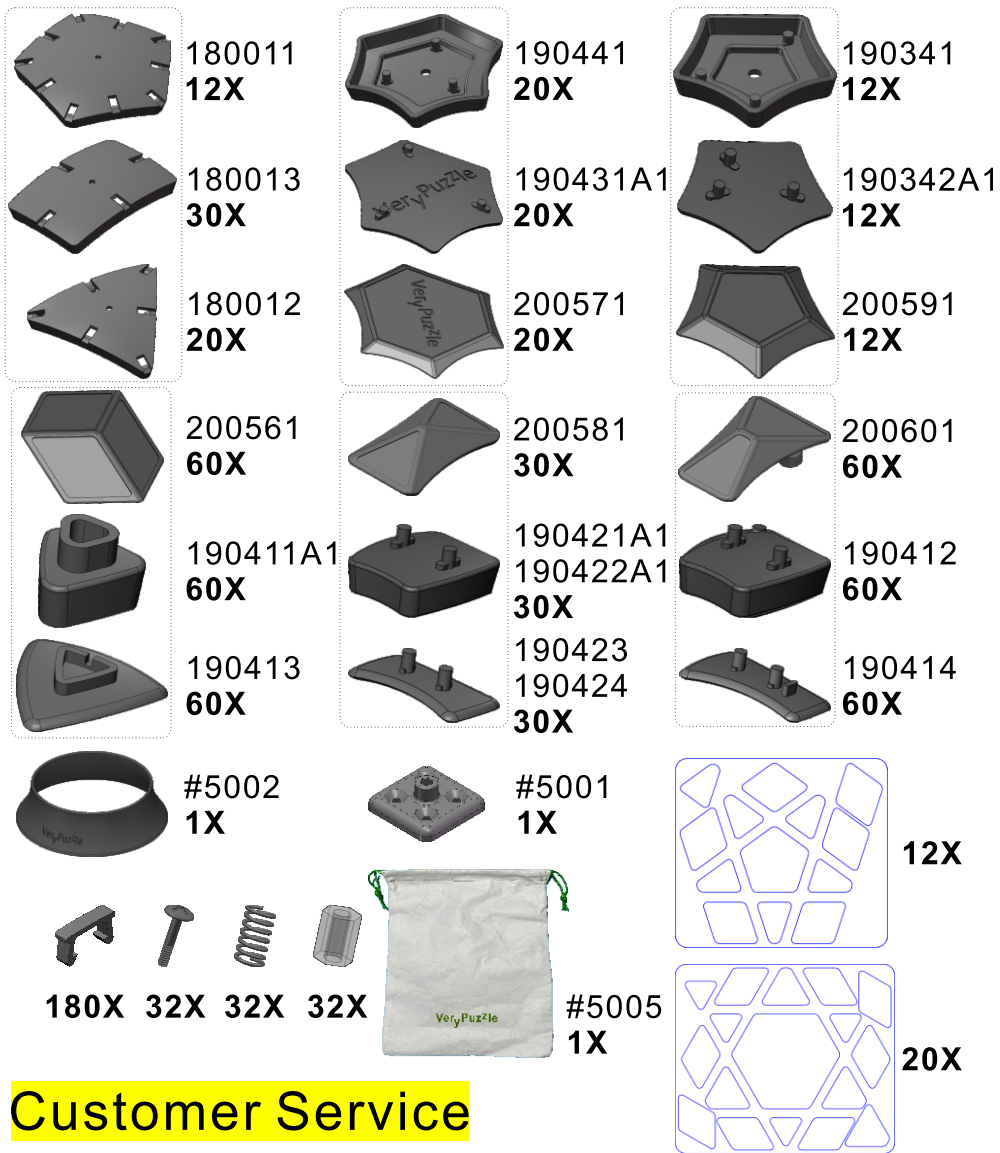
5-fold symmetry  
Turns  $72^\circ \cdot n$  degrees

## Notations and Algorithms



## Product Information Card

|  |                         |
|--|-------------------------|
| <b>Product Name</b>                          | Classical Tuttminx V2.0 |
| <b>Model NO.</b>                             | #90                     |
| <b>Design</b>                                | Lee Tutt (USA)          |
| <b>Manufacturer</b>                          | VeryPuzzle Co., Ltd(HK) |
| <b>Year of release</b>                       | 2024                    |
| <b>Maximum diameter</b>                      | 160 mm                  |
| <b>Visible moving parts</b>                  | 182 pcs                 |
| <b>Coloring strategy</b>                     | Voronoi                 |
| <b>Number of colors</b>                      | 32 colors               |
| <b>Sticker type</b>                          | textured, glossy        |
| <b>Sticker protection</b>                    | Yes                     |
| <b>Number of sticker pieces</b>              | 392 pcs                 |
| <b>Axis &amp; Symmetry</b>                   | $D(C5)+I(C3)$           |
| <b>Maximum parts shared between two axes</b> | 3 parts                 |
| <b>In-core spring</b>                        | Yes                     |
| <b>Adjustable tension</b>                    | No                      |
| <b>Technical Name</b>                        | D113-M5-A1              |
| <b>Topological Print</b>                     | D24I27                  |
| <b>Core specification</b>                    | DIRT130                 |



## Customer Service

1. [support@verypuzzle.com](mailto:support@verypuzzle.com)



# VeryPuzzle